

TUBELITE, INC.

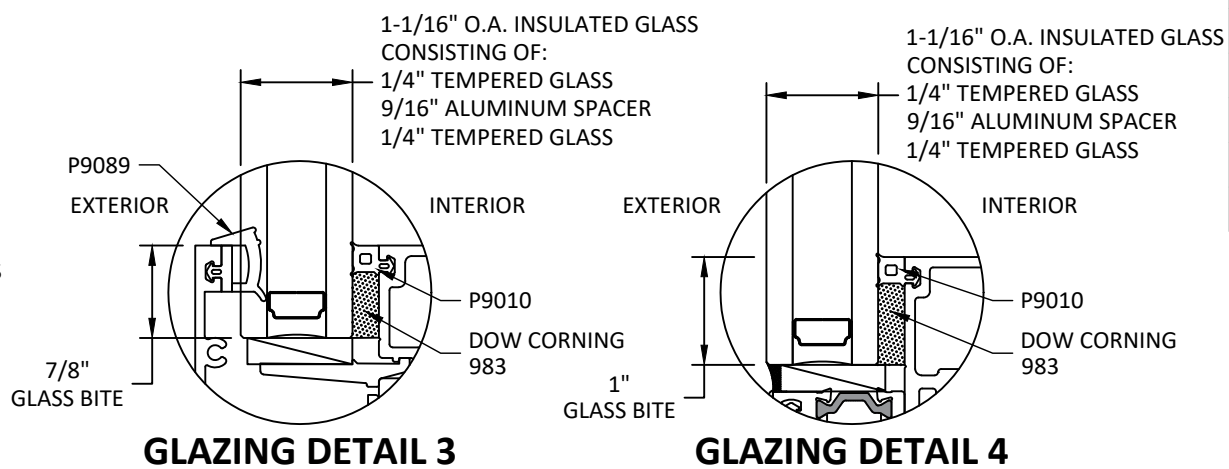
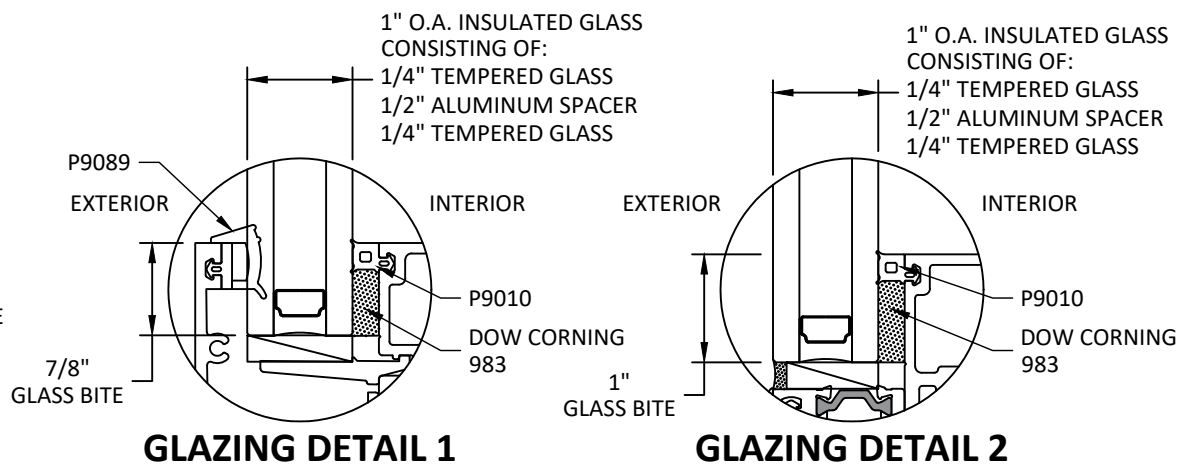
TUBELITE® 950SG RIBBON WALL SYSTEM - 7-3/4" DEPTH (NON-HVHZ) (NON-IMPACT)

TUBELITE®
DEPENDABLE
LEADERS IN ECO-EFFICIENT STOREFRONT,
CURTAINWALL AND ENTRANCE SYSTEMS

3056 WALKER RIDGE DRIVE N.W.
WALKER, MICHIGAN 49544
PH: 800 866 2227 FX: 616 301 0008

GENERAL NOTES:

- THE PRODUCT SHOWN HEREIN IS DESIGNED AND MANUFACTURED TO COMPLY WITH THE CURRENT EDITION FLORIDA BUILDING CODE (FBC), EXCLUDING HVHZ AND HAS BEEN EVALUATED ACCORDING TO THE FOLLOWING:
 - AAMA 501-15
 - ASTM E 283-04(12)
 - ASTM E 330-14
 - ASTM E 331-00(09)
 - ASTM E 547-09
- ADEQUACY OF THE EXISTING STRUCTURAL CONCRETE/MASONRY, 2X FRAMING AND METAL STUD FRAMING AS A MAIN WIND FORCE RESISTING SYSTEM CAPABLE OF WITHSTANDING AND TRANSFERRING APPLIED PRODUCT LOADS TO THE FOUNDATION IS THE RESPONSIBILITY OF THE ENGINEER OR ARCHITECT OF RECORD FOR THE PROJECT OF INSTALLATION.
- 1X AND 2X BUCKS (WHEN USED) SHALL BE DESIGNED AND ANCHORED TO PROPERLY TRANSFER ALL LOADS TO THE STRUCTURE. BUCK DESIGN AND INSTALLATION IS THE RESPONSIBILITY OF THE ENGINEER OR ARCHITECT OF RECORD FOR THE PROJECT OF INSTALLATION.
- THE INSTALLATION DETAILS DESCRIBED HEREIN ARE GENERIC AND MAY NOT REFLECT ACTUAL CONDITIONS FOR A SPECIFIC SITE. IF SITE CONDITIONS CAUSE INSTALLATION TO DEVIATE FROM THE REQUIREMENTS DETAILED HEREIN, A LICENSED ENGINEER OR ARCHITECT SHALL PREPARE SITE SPECIFIC DOCUMENTS FOR USE WITH THIS DOCUMENT.
- APPROVED IMPACT PROTECTIVE SYSTEM **IS REQUIRED** ON THIS PRODUCT IN AREAS REQUIRING IMPACT RESISTANCE.
- WINDOW WALL FRAME MATERIAL: ALUMINUM 6063-T6
- ALL STRUCTURAL MATERIALS & DISSIMILAR METALS SHALL BE PROTECTED, TREATED, PAINTED, COATED, AND/OR ISOLATED AS REQUIRED IN THE APPLICABLE SECTIONS OF THE CURRENT FLORIDA BUILDING CODE AND REFERENCED DESIGN SPECIFICATIONS.
- GLASS MEETS THE REQUIREMENTS OF ASTM E 1300 GLASS CHARTS. SEE SHEET 1 FOR GLAZING DETAILS.



GLAZING NOTES:

- GLASS TYPE & THICKNESS SHALL COMPLY WITH ASTM E1300 REQUIREMENTS AS WELL AS APPLICABLE SAFETY GLAZING REQUIREMENTS PER THE FBC. TEMPER AND SAFETY GLAZING REQUIREMENTS SHALL BE REVIEWED ON A SITE SPECIFIC BASIS.
- SETTING BLOCK DUROMETER HARDNESS OF 70-90 (SHORE A) AS REFERENCED IN FBC CHAPTER 24.
- SETTING BLOCKS TO BE LOCATED AT 1/4 SPAN LENGTH FOR GLASS WIDER THAN 36" AS PER FBC CHAPTER 24.
- D.L.O. AND DESIGN PRESSURES MAY NOT EXCEED MAX VALUES IN DESIGN PRESSURE TABLES.

TABLE OF CONTENTS	
SHEET	SHEET DESCRIPTION
1	GENERAL NOTES & GLAZING DETAILS
2	ELEVATIONS
3	HORIZONTAL DETAILS
4	HORIZONTAL DETAILS
5	VERTICAL DETAILS & DESIGN PRESSURE CHARTS
6	VERTICAL DETAILS & DESIGN PRESSURE CHARTS
7	OUTSIDE CORNER DETAILS & DESIGN PRESSURE CHARTS
8	OUTSIDE CORNER DETAILS & DESIGN PRESSURE CHARTS
9	OUTSIDE CORNER DETAILS & DESIGN PRESSURE CHARTS
10	OUTSIDE CORNER DETAILS & DESIGN PRESSURE CHARTS
11	INSIDE CORNER DETAILS
12	SLAB DETAILS
13	SLAB DETAILS
14	ANCHOR DETAILS & INSTALLATION NOTES
15	ANCHOR CAPACITY CHARTS
16	INSTALLATION DETAILS
17	INSTALLATION DETAILS

MISSILE IMPACT RATING	DESIGN PRESSURE
NON-IMPACT RATED	SEE SHEETS 3 & 5-10 & 15 FOR DESIGN PRESSURE LIMITATIONS

INSTRUCTIONS FOR USE:

- DETERMINE DESIGN WIND LOAD REQUIREMENTS BASED ON WIND VELOCITY, BUILDING HEIGHT, WIND ZONE, USING APPLICABLE ASCE 7 STANDARD.
- CHECK MULLION CAPACITY FOR A GIVEN WIDTH AND HEIGHT USING CHARTS ON SHEETS 5-10 FOR VERTICAL MULLIONS, AND SHEET 3 FOR HORIZONTAL MULLIONS, IF APPLICABLE. THE CAPACITY SHOULD EXCEED THE DESIGN LOAD.
- USING CHART ON SHEETS 14 & 15, SELECT ANCHOR OPTION WITH DESIGN RATING MORE THAN DESIGN LOAD SPECIFIED IN STEP 1 ABOVE.
- THE LOWEST VALUE RESULTING FROM STEP 2 AND 3 SHALL APPLY TO ENTIRE SYSTEM.

TITLE: TUBELITE® 950SG RIBBON WALL SYSTEM - 7-3/4" DEPTH (NON-HVHZ) (NON-IMPACT)

GENERAL NOTES & GLAZING DETAILS

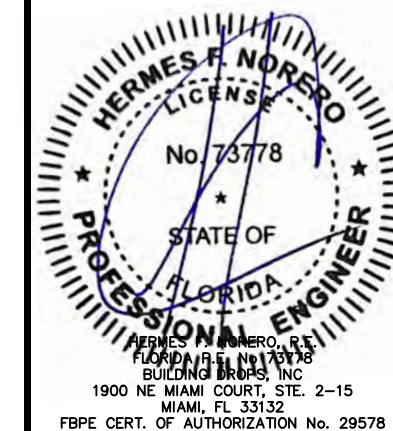
PREPARED BY: BUILDING DROPS, INC.

1900 NE MIAMI COURT, STE. 2-15
MIAMI, FL 33132
PH: (954) 399-8478
FAX: (954) 744-4738
WEB: www.buildingdrops.com



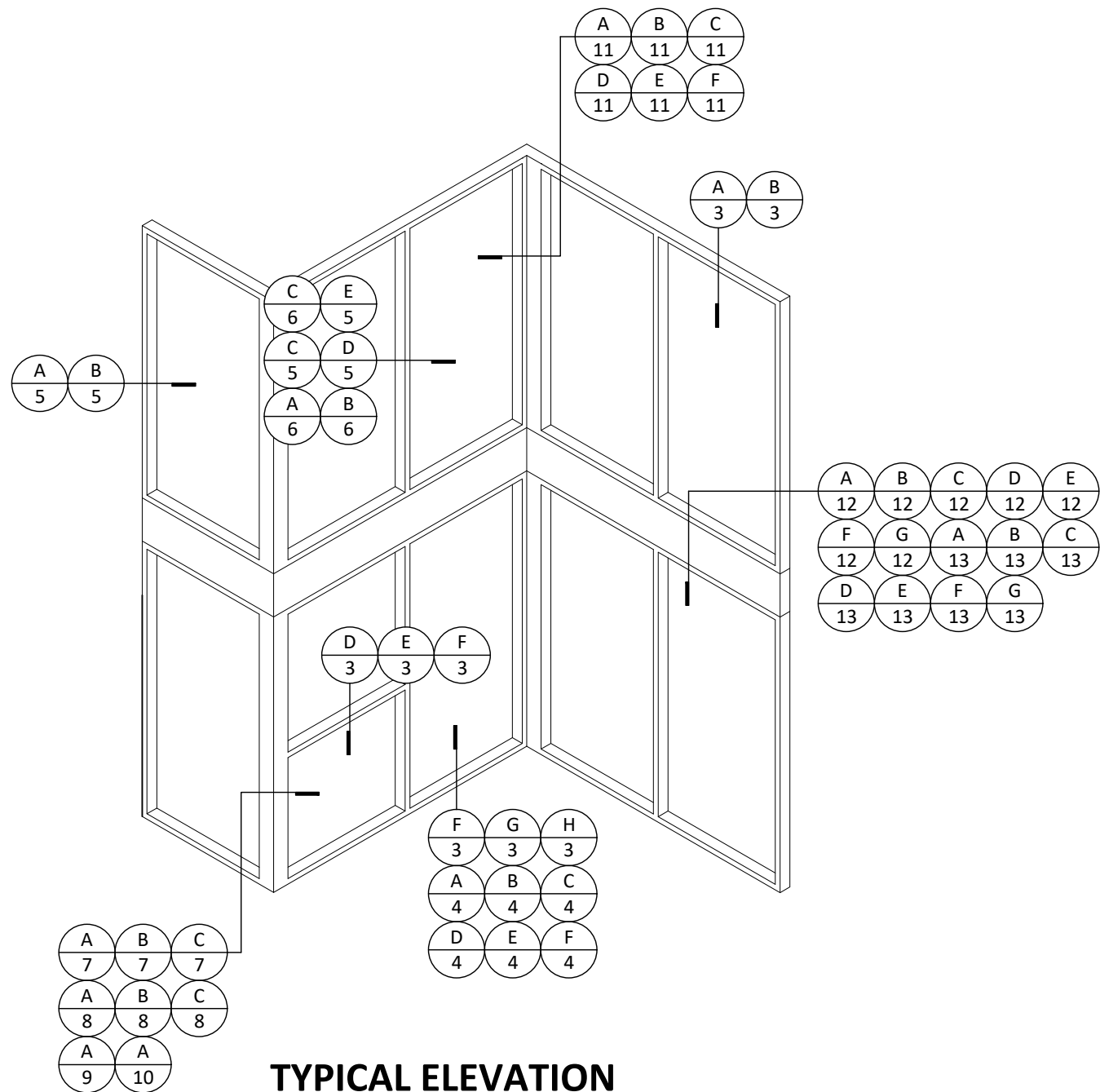
REMARKS	BY	DATE

THE INSTALLATION DETAILS DESCRIBED HEREIN ARE GENERIC AND MAY NOT REFLECT ACTUAL CONDITIONS FOR A SPECIFIC SITE. IF SITE CONDITIONS CAUSE INSTALLATION TO DEVIATE FROM THE REQUIREMENTS DETAILED HEREIN, A LICENSED ENGINEER OR ARCHITECT SHALL PREPARE SITE SPECIFIC DOCUMENTS FOR USE WITH THIS DOCUMENT

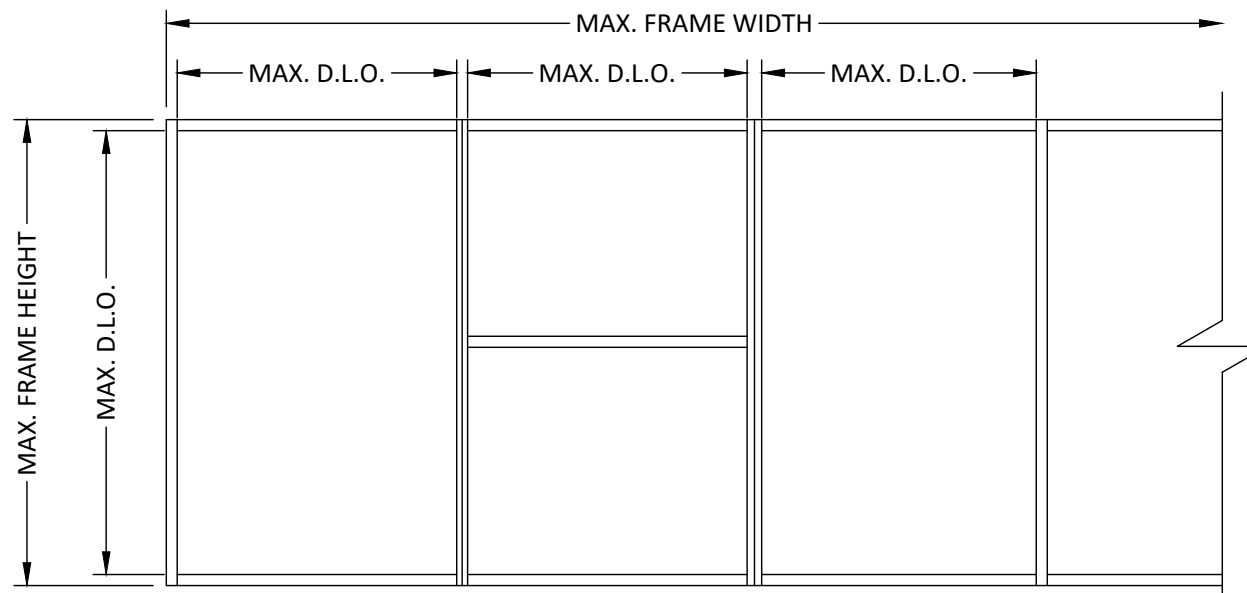


FL #:	FL40971
DATE:	10.17.23
DWG. BY:	SH
CHK. BY:	HFN
SCALE:	NTS
DWG. #:	TLI026
SECTION	1

s:\projects\tubelite, inc\fbc-23-0825-1 - fbc submittal - 1350 - 4000 series operable vents & #140971 950sg revision.dwg 950 sg www.tli026.dwg 10/19/2023 4:52 PM



TYPICAL ELEVATION



TYPICAL ELEVATION

TUBELITE®
DEPENDABLE

LEADERS IN ECO-EFFICIENT STOREFRONT,
CURTAINWALL AND ENTRANCE SYSTEMS

3056 WALKER RIDGE DRIVE N.W.
WALKER, MICHIGAN 49544
PH: 800 866 2227 FX: 616 301 0008

TITLE: TUBELITE® 950SG RIBBON
WALL SYSTEM - 7-3/4" DEPTH
(NON-HVHZ) (NON-IMPACT)

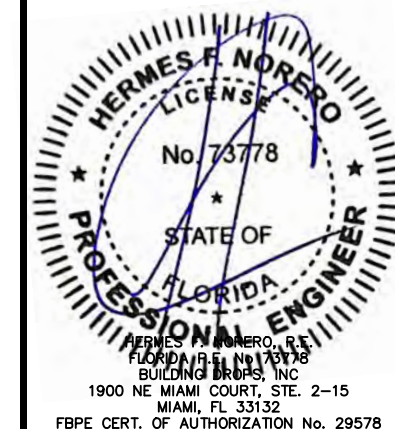
ELEVATIONS

PREPARED BY:
BUILDING DROPS, INC.
1900 NE MIAMI COURT, STE. 2-15
MIAMI, FL 33132
PH: (954) 399-8478
FAX: (954) 744-4738
WEB: www.buildingdrops.com



REMARKS	BY	DATE

THE INSTALLATION DETAILS DESCRIBED HEREIN ARE GENERIC AND MAY NOT REFLECT ACTUAL CONDITIONS FOR A SPECIFIC SITE. IF SITE CONDITIONS CAUSE INSTALLATION TO DEVIATE FROM THE REQUIREMENTS DETAILED HEREIN, A LICENSED ENGINEER OR ARCHITECT SHALL PREPARE SITE SPECIFIC DOCUMENTS FOR USE WITH THIS DOCUMENT



FL #: **FL40971**

DATE: **10.17.23**

DWG. BY: **SH** CHK. BY: **HFN**

SCALE: **NTS**

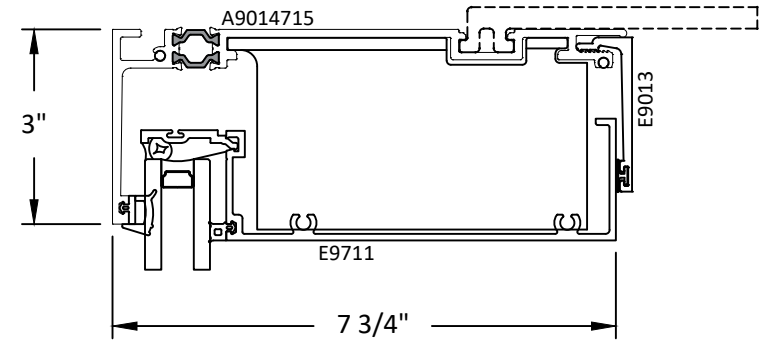
DWG. #: **TLI026**

SECTION

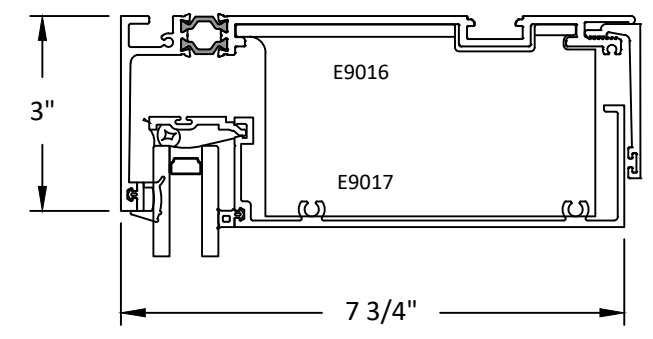
2

10/19/2023 4:52 PM

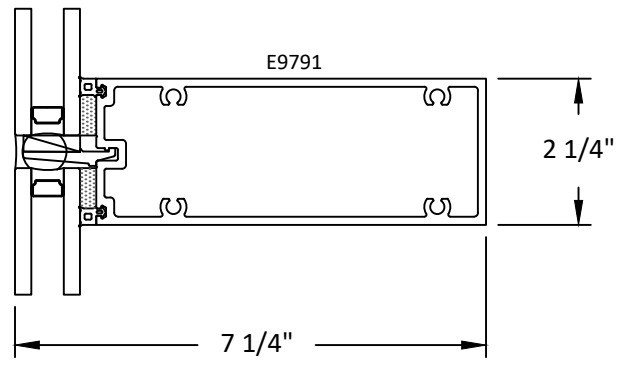
HORIZONTAL DETAILS



A
3 HEAD
STANDARD



B
3 HEAD
ANCHOR THROUGH RECEPTOR

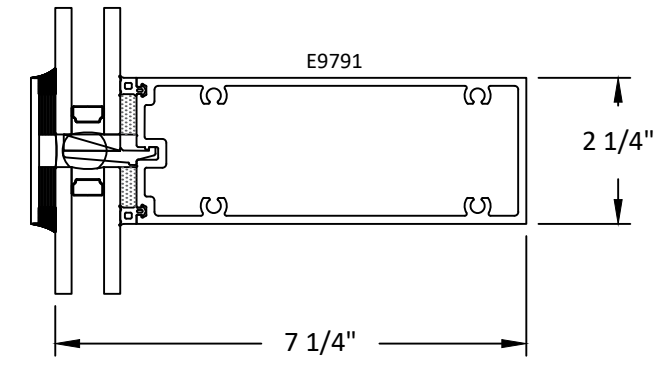


D
3 HORIZ. MULLION
STANDARD

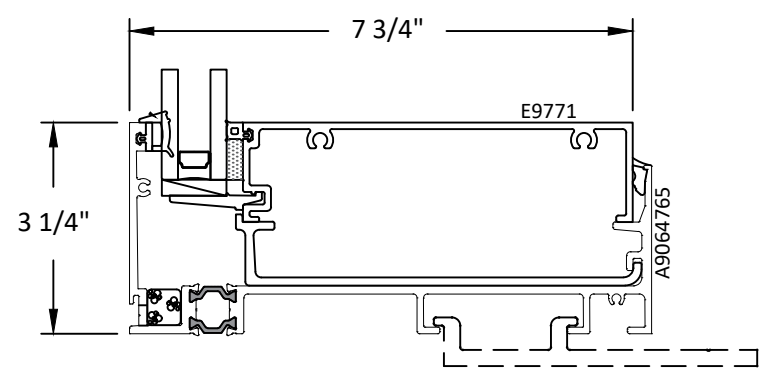
DESIGN PRESSURE TABLE:
HORIZONTAL MEMBER

MAX. MEMBER SPAN LENGTH "W"	DESIGN PRESSURE (PSF)
48	+40 / -40

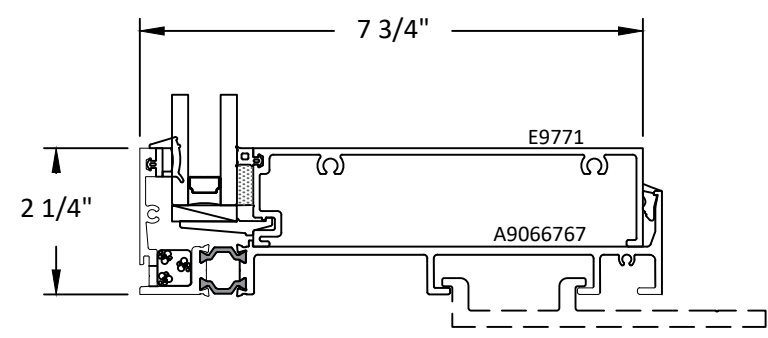
NOTE: HORIZONTAL MEMBER CAPACITY IS LIMITED BY SINGLE SPAN.



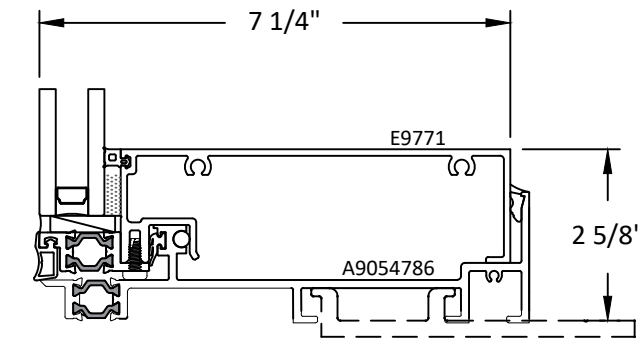
E
3 HORIZ. MULLION
WITH ACCENT COVER



F
3 SILL
STANDARD - SLIDE IN ANCHOR
TALL PROFILE



G
3 SILL
SLIDE IN ANCHOR
LOW PROFILE



H
3 SILL
SLIDE IN ANCHOR
ROLL-OVER PROFILE

TUBELITE®
DEPENDABLE
LEADERS IN ECO-EFFICIENT STOREFRONT,
CURTAINWALL AND ENTRANCE SYSTEMS

3056 WALKER RIDGE DRIVE N.W.
WALKER, MICHIGAN 49544
PH: 800 866 2227 FX: 616 301 0008

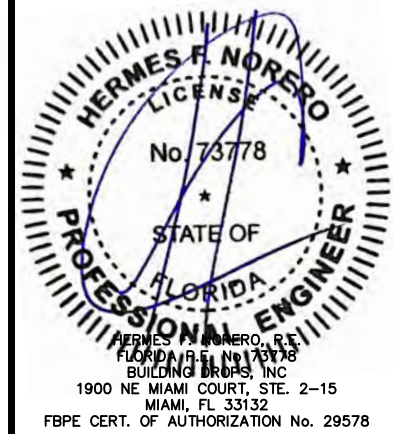
TITLE: TUBELITE® 950SG RIBBON
WALL SYSTEM - 7-3/4" DEPTH
(NON-HVHZ) (NON-IMPACT)
HORIZONTAL DETAILS

PREPARED BY:
BUILDING DROPS, INC.
1900 NE MIAMI COURT, STE. 2-15
MIAMI, FL 33132
PH: (954)399-8478
FAX: (954)744-4738
WEB: www.buildingdrops.com



REMARKS	BY	DATE

THE INSTALLATION DETAILS DESCRIBED HEREIN ARE GENERIC AND MAY NOT REFLECT ACTUAL CONDITIONS FOR A SPECIFIC SITE. IF SITE CONDITIONS CAUSE INSTALLATION TO DEVIATE FROM THE REQUIREMENTS DETAILED HEREIN, A LICENSED ENGINEER OR ARCHITECT SHALL PREPARE SITE SPECIFIC DOCUMENTS FOR USE WITH THIS DOCUMENT



HERMES F. NORERO, P.E.
FLORIDA LICENSE NO. 73778
BUILDING DROPS, INC.
1900 NE MIAMI COURT, STE. 2-15
MIAMI, FL 33132
FBPE CERT. OF AUTHORIZATION No. 29578

FL #: **FL40971**

DATE: **10.17.23**

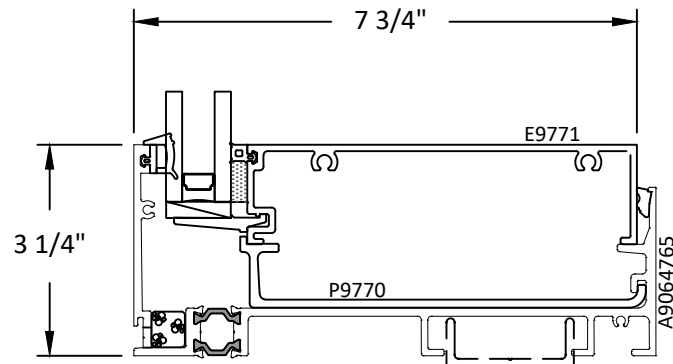
DWG. BY: **SH** CHK. BY: **HFN**

SCALE: **NTS**

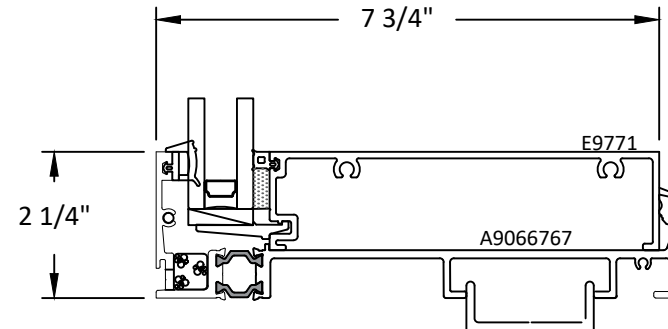
DWG. #: **TLI026**

SECTION
3

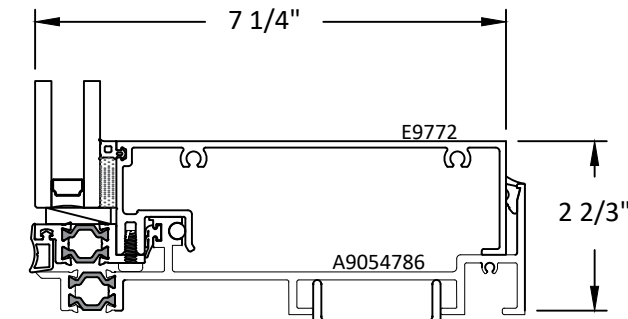
HORIZONTAL DETAILS



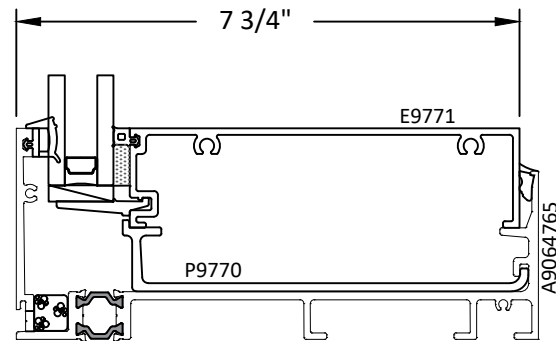
A
4
SILL
CHANNEL ANCHOR
TALL PROFILE



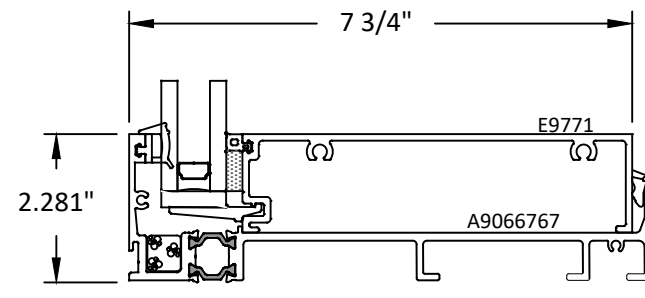
B
4
SILL
CHANNEL ANCHOR
LOW PROFILE



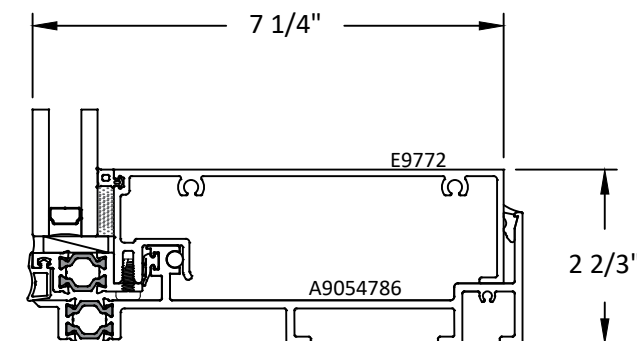
C
4
SILL
CHANNEL ANCHOR
ROLL-OVER PROFILE



D
4
SILL
ANCHOR THROUGH RECEPTOR
TALL PROFILE



E
4
SILL
ANCHOR THROUGH RECEPTOR
LOW PROFILE



F
4
SILL
ANCHOR THROUGH RECEPTOR
ROLL-OVER PROFILE

TUBELITE®
DEPENDABLE

LEADERS IN ECO-EFFICIENT STOREFRONT,
CURTAINWALL AND ENTRANCE SYSTEMS

3056 WALKER RIDGE DRIVE N.W.
WALKER, MICHIGAN 49544
PH: 800 866 2227 FX: 616 301 0008

TITLE: TUBELITE® 950SG RIBBON
WALL SYSTEM - 7-3/4" DEPTH
(NON-HVHZ) (NON-IMPACT)
HORIZONTAL DETAILS

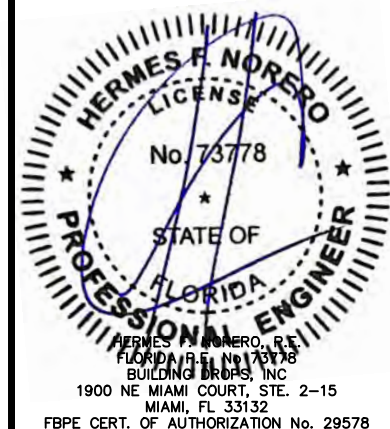
PREPARED BY:
BUILDING DROPS, INC.

1900 NE MIAMI COURT, STE. 2-15
MIAMI, FL 33132
PH: (954)399-8478
FAX: (954)744-4738
WEB: www.buildingdrops.com



REMARKS	BY	DATE

THE INSTALLATION DETAILS DESCRIBED HEREIN ARE GENERIC AND MAY NOT REFLECT ACTUAL CONDITIONS FOR A SPECIFIC SITE. IF SITE CONDITIONS CAUSE INSTALLATION TO DEVIATE FROM THE REQUIREMENTS DETAILED HEREIN, A LICENSED ENGINEER OR ARCHITECT SHALL PREPARE SITE SPECIFIC DOCUMENTS FOR USE WITH THIS DOCUMENT



FL #: **FL40971**

DATE: **10.17.23**

DWG. BY: **SH** CHK. BY: **HFN**

SCALE: **NTS**

DWG. #: **TLI026**

SECTION

4

VERTICAL DETAILS AND DESIGN PRESSURE CHARTS

TUBELITE®
DEPENDABLE
LEADERS IN ECO-EFFICIENT STOREFRONT,
CURTAINWALL AND ENTRANCE SYSTEMS

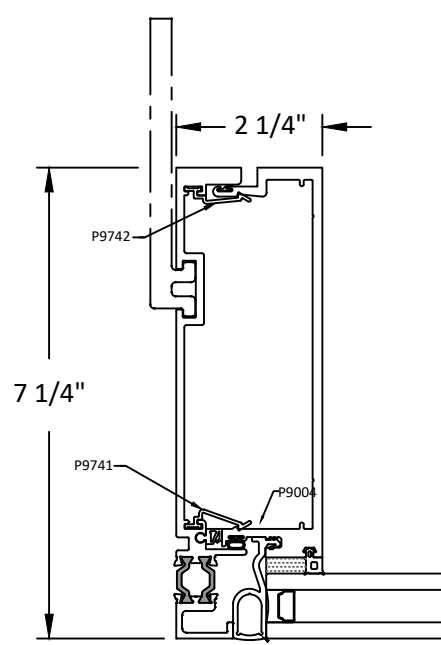
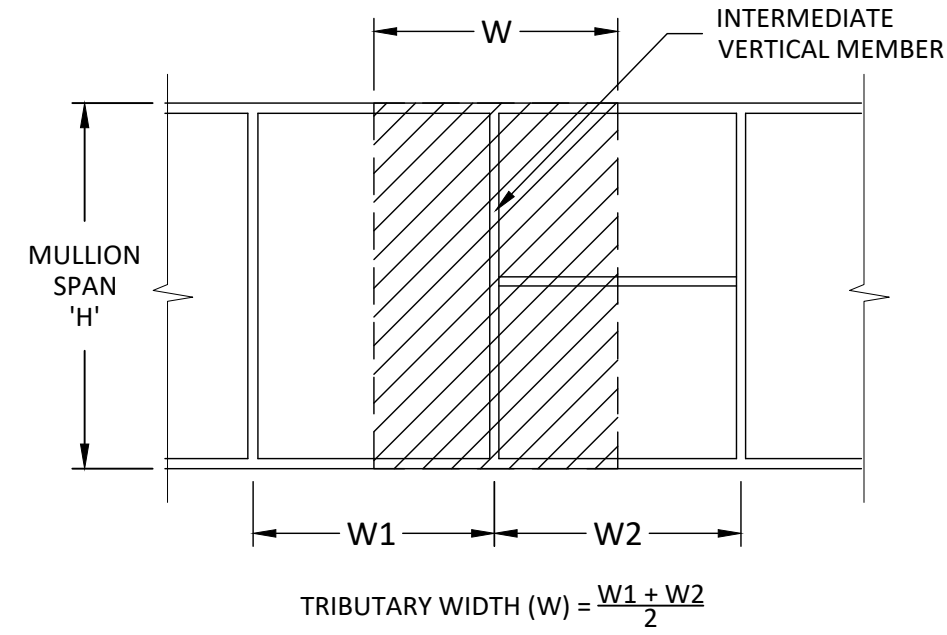
3056 WALKER RIDGE DRIVE N.W.
WALKER, MICHIGAN 49544
PH: 800 866 2227 FX: 616 301 0008

TITLE: TUBELITE® 950SG RIBBON
WALL SYSTEM - 7-3/4" DEPTH
(NON-HVHZ) (NON-IMPACT)
VERTICAL DETAILS AND
DESIGN PRESSURE CHARTS

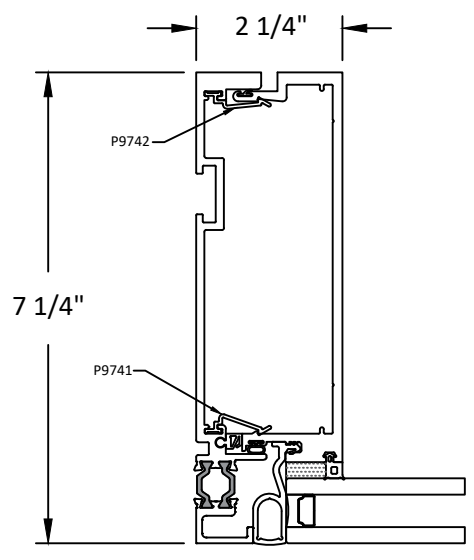
PREPARED BY:
BUILDING DROPS, INC.
1900 NE MIAMI COURT, STE. 2-15
MIAMI, FL 33132
PH: (954)399-8478
FAX: (954)744-4738
WEB: www.buildingdrops.com



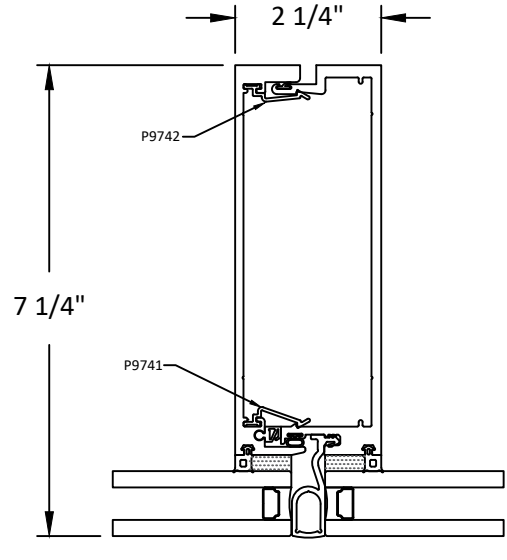
VERTICAL MEMBER DESIGN PRESSURE, M1, M2, M3 (PSF)		TRIBUTARY WIDTH 'W' (INCHES)														
MEMBER SPAN 'H' (INCHES)		24.0	30.0	36.0	42.0	48.0	54.0	60.0	66.0	72.0	78.0	84.0	90.0	96.0	102.0	108.0
	48.0		40.0	40.0	40.0	40.0	40.0	40.0	40.0	40.0	40.0	40.0	40.0	40.0	40.0	40.0
54.0		40.0	40.0	40.0	40.0	40.0	35.6	35.6	35.6	35.6	35.6	35.6	35.6	35.6	-	-
60.0		40.0	40.0	40.0	40.0	40.0	35.6	32.0	32.0	32.0	32.0	32.0	-	-	-	-
66.0		40.0	40.0	40.0	40.0	40.0	35.6	32.0	29.1	29.1	29.1	-	-	-	-	-
72.0		40.0	40.0	40.0	40.0	40.0	35.6	32.0	29.1	26.7	-	-	-	-	-	-
78.0		40.0	40.0	40.0	40.0	40.0	35.6	32.0	29.1	-	-	-	-	-	-	-
84.0		40.0	40.0	40.0	40.0	40.0	35.6	32.0	-	-	-	-	-	-	-	-
90.0		40.0	40.0	40.0	40.0	40.0	35.6	-	-	-	-	-	-	-	-	-
96.0		40.0	40.0	40.0	40.0	40.0	35.6	-	-	-	-	-	-	-	-	-
102.0		40.0	40.0	40.0	40.0	40.0	-	-	-	-	-	-	-	-	-	-
108.0		40.0	40.0	40.0	40.0	40.0	-	-	-	-	-	-	-	-	-	-
114.0		40.0	40.0	40.0	40.0	40.0	-	-	-	-	-	-	-	-	-	-
120.0		40.0	40.0	40.0	40.0	40.0	-	-	-	-	-	-	-	-	-	-
126.0		40.0	40.0	40.0	39.5	34.6	-	-	-	-	-	-	-	-	-	-
132.0		40.0	40.0	40.0	34.3	30.1	-	-	-	-	-	-	-	-	-	-
138.0		40.0	40.0	35.1	30.1	26.3	-	-	-	-	-	-	-	-	-	-
144.0		40.0	37.0	30.9	26.5	23.1	-	-	-	-	-	-	-	-	-	-



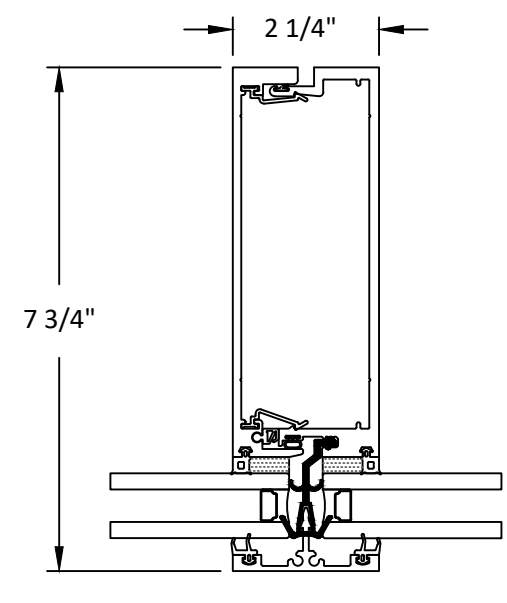
A
5 JAMB
STANDARD - SLIDE IN ANCHOR



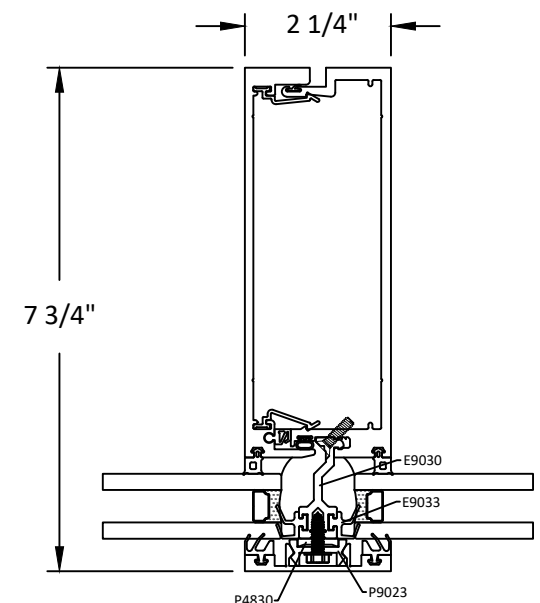
B
5 JAMB
ANCHOR THROUGH JAMB



C
5 VERTICAL MULLION M1
STANDARD



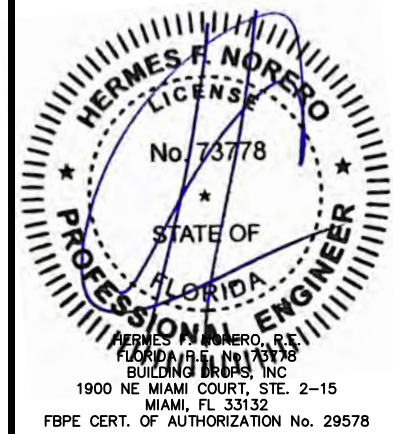
D
5 VERTICAL MULLION M2
WITH VERTICAL ACCENT COVER



E
5 VERTICAL MULLION M3
WITH VERTICAL ACCENT COVER

REMARKS	BY	DATE

THE INSTALLATION DETAILS DESCRIBED HEREIN ARE GENERIC AND MAY NOT REFLECT ACTUAL CONDITIONS FOR A SPECIFIC SITE. IF SITE CONDITIONS CAUSE INSTALLATION TO DEVIATE FROM THE REQUIREMENTS DETAILED HEREIN, A LICENSED ENGINEER OR ARCHITECT SHALL PREPARE SITE SPECIFIC DOCUMENTS FOR USE WITH THIS DOCUMENT.



FL #: **FL40971**
DATE: **10.17.23**
DWG. BY: **SH** | CHK. BY: **HFN**
SCALE: **NTS**
DWG. #: **TLI026**

SECTION **5**
OF 17

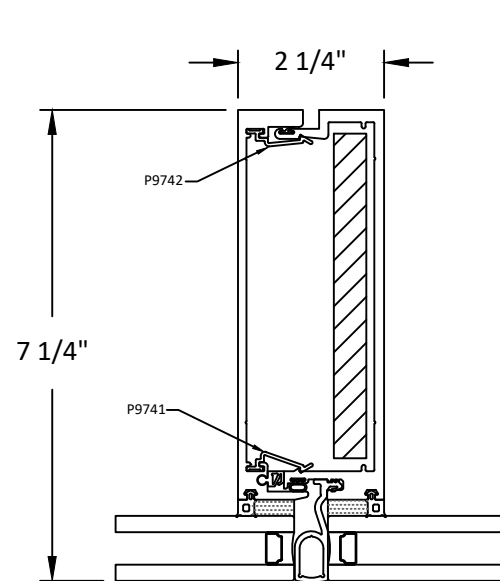
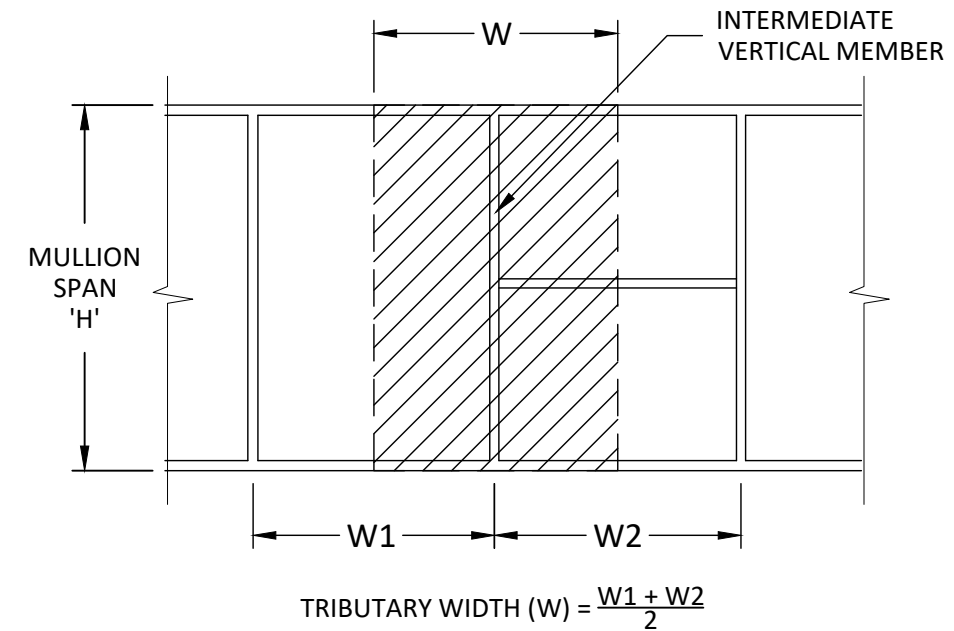
10/19/2023 4:52 PM
s:\projects\tubelite, inc\fb-23-0825-1 - fbc submittal - 1350_4000 series operable vents & #140971 950sg revision.dwg s:\950 sg www.tli026.dwg

VERTICAL DETAILS AND DESIGN PRESSURE CHARTS

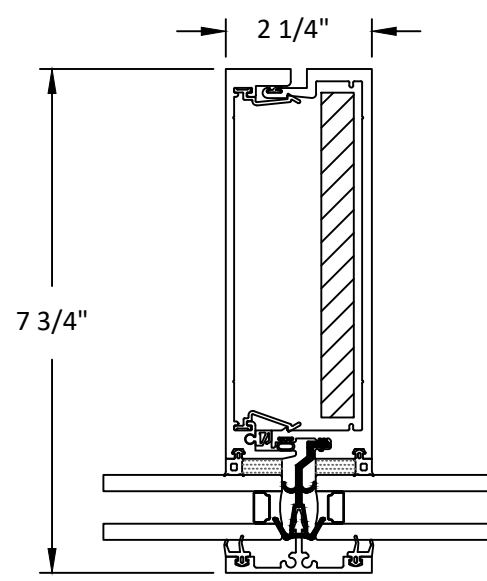
TUBELITE®
DEPENDABLE
LEADERS IN ECO-EFFICIENT STOREFRONT,
CURTAINWALL AND ENTRANCE SYSTEMS

3056 WALKER RIDGE DRIVE N.W.
WALKER, MICHIGAN 49544
PH: 800 866 2227 FX: 616 301 0008

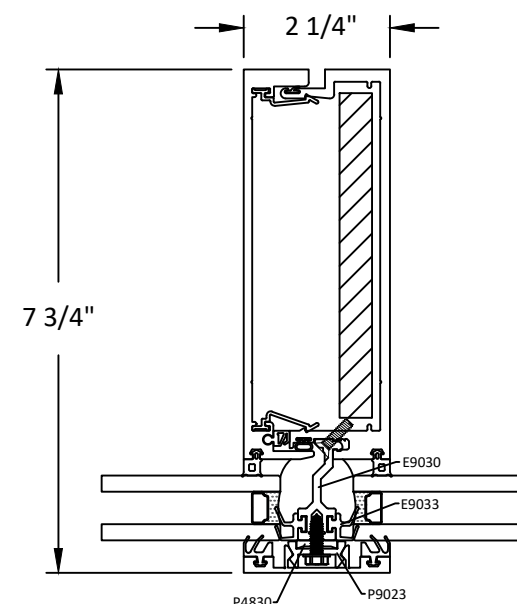
VERTICAL MEMBER DESIGN PRESSURE, M4, M5, M6 (PSF)		TRIBUTARY WIDTH 'W' (INCHES)														
MEMBER SPAN 'H' (INCHES)		24.0	30.0	36.0	42.0	48.0	54.0	60.0	66.0	72.0	78.0	84.0	90.0	96.0	102.0	108.0
	48.0	40.0	40.0	40.0	40.0	40.0	40.0	40.0	40.0	40.0	40.0	40.0	40.0	40.0	40.0	40.0
54.0	40.0	40.0	40.0	40.0	40.0	40.0	35.6	35.6	35.6	35.6	35.6	35.6	35.6	35.6	-	-
60.0	40.0	40.0	40.0	40.0	40.0	40.0	35.6	32.0	32.0	32.0	32.0	32.0	-	-	-	-
66.0	40.0	40.0	40.0	40.0	40.0	40.0	35.6	32.0	29.1	29.1	29.1	-	-	-	-	-
72.0	40.0	40.0	40.0	40.0	40.0	40.0	35.6	32.0	29.1	26.7	-	-	-	-	-	-
78.0	40.0	40.0	40.0	40.0	40.0	40.0	35.6	32.0	29.1	-	-	-	-	-	-	-
84.0	40.0	40.0	40.0	40.0	40.0	40.0	35.6	32.0	-	-	-	-	-	-	-	-
90.0	40.0	40.0	40.0	40.0	40.0	40.0	35.6	-	-	-	-	-	-	-	-	-
96.0	40.0	40.0	40.0	40.0	40.0	40.0	35.6	-	-	-	-	-	-	-	-	-
102.0	40.0	40.0	40.0	40.0	40.0	40.0	-	-	-	-	-	-	-	-	-	-
108.0	40.0	40.0	40.0	40.0	40.0	40.0	-	-	-	-	-	-	-	-	-	-
114.0	40.0	40.0	40.0	40.0	40.0	40.0	-	-	-	-	-	-	-	-	-	-
120.0	40.0	40.0	40.0	40.0	40.0	40.0	-	-	-	-	-	-	-	-	-	-
126.0	40.0	40.0	40.0	40.0	40.0	40.0	-	-	-	-	-	-	-	-	-	-
132.0	40.0	40.0	40.0	40.0	40.0	40.0	-	-	-	-	-	-	-	-	-	-
138.0	40.0	40.0	40.0	40.0	40.0	40.0	-	-	-	-	-	-	-	-	-	-
144.0	40.0	40.0	40.0	40.0	40.0	40.0	-	-	-	-	-	-	-	-	-	-
150.0	40.0	40.0	40.0	40.0	40.0	35.4	-	-	-	-	-	-	-	-	-	-
156.0	40.0	40.0	40.0	40.0	36.0	31.5	-	-	-	-	-	-	-	-	-	-
162.0	40.0	40.0	37.5	32.1	28.1	-	-	-	-	-	-	-	-	-	-	-
168.0	40.0	40.0	33.6	28.8	25.2	-	-	-	-	-	-	-	-	-	-	-
174.0	40.0	36.3	30.2	25.9	22.7	-	-	-	-	-	-	-	-	-	-	-
180.0	40.0	32.8	27.3	23.4	20.5	-	-	-	-	-	-	-	-	-	-	-



A VERTICAL MULLION M4
STANDARD
5" X 0.5" A36 STEEL REINFORCEMENT



B VERTICAL MULLION M5
WITH VERTICAL ACCENT COVER
5" X 0.5" A36 STEEL REINFORCEMENT



C VERTICAL MULLION M6
WITH VERTICAL ACCENT COVER
5" X 0.5" A36 STEEL REINFORCEMENT

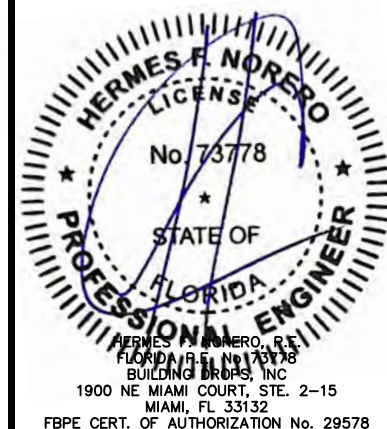
TITLE: TUBELITE® 950SG RIBBON
WALL SYSTEM - 7-3/4" DEPTH
(NON-HVHZ) (NON-IMPACT)
VERTICAL DETAILS AND
DESIGN PRESSURE CHARTS

PREPARED BY: BUILDING DROPS, INC.
1900 NE MIAMI COURT, STE. 2-15
MIAMI, FL 33132
PH: (954)399-8478
FAX: (954)744-4738
WEB: www.buildingdrops.com



REMARKS	BY	DATE

THE INSTALLATION DETAILS DESCRIBED HEREIN ARE GENERIC AND MAY NOT REFLECT ACTUAL CONDITIONS FOR A SPECIFIC SITE. IF SITE CONDITIONS CAUSE INSTALLATION TO DEVIATE FROM THE REQUIREMENTS DETAILED HEREIN, A LICENSED ENGINEER OR ARCHITECT SHALL PREPARE SITE SPECIFIC DOCUMENTS FOR USE WITH THIS DOCUMENT.



FL #: **FL40971**
DATE: **10.17.23**
DWG. BY: **SH** | CHK. BY: **HFN**
SCALE: **NTS**
DWG. #: **TLI026**

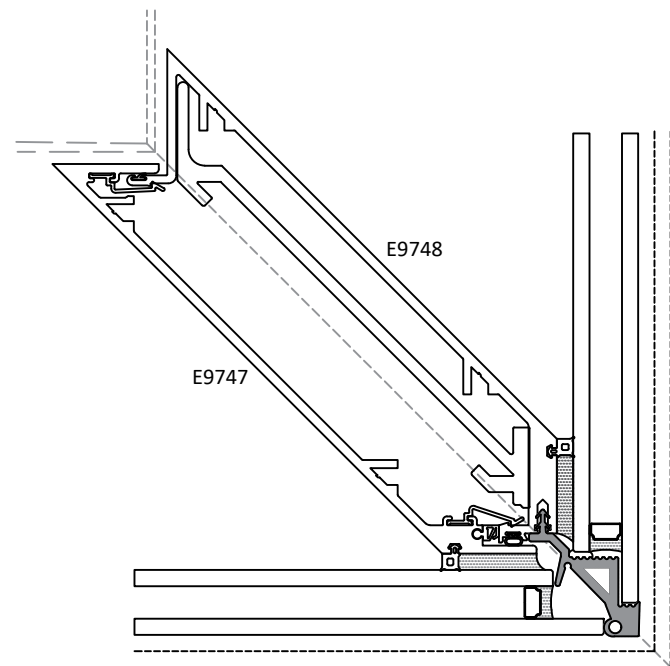
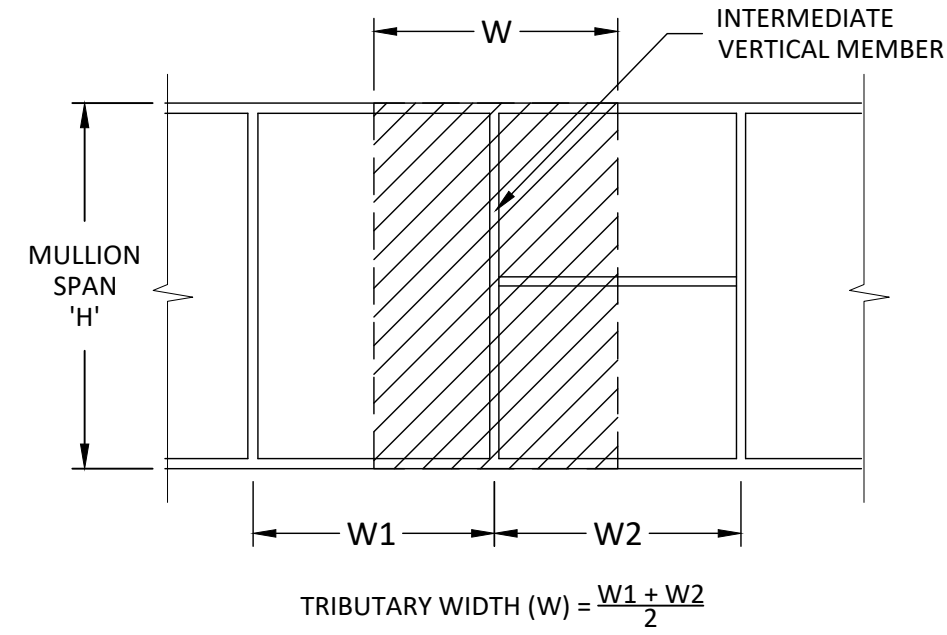
SECTION **6**
OF 17

OUTSIDE CORNER DETAILS AND DESIGN PRESSURE CHARTS

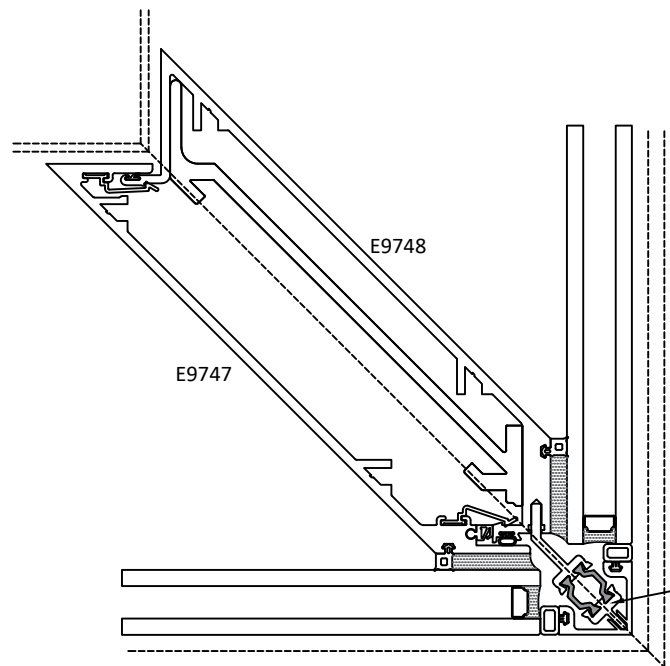
TUBELITE®
DEPENDABLE
LEADERS IN ECO-EFFICIENT STOREFRONT,
CURTAINWALL AND ENTRANCE SYSTEMS

3056 WALKER RIDGE DRIVE N.W.
WALKER, MICHIGAN 49544
PH: 800 866 2227 FX: 616 301 0008

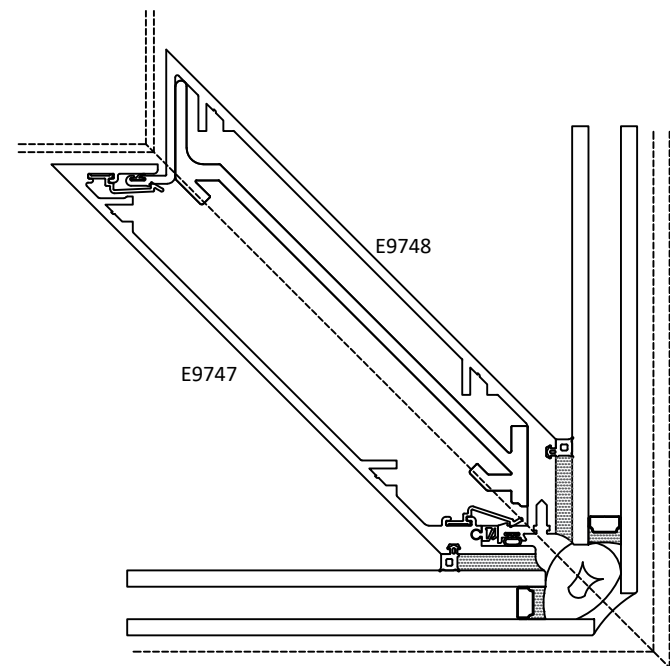
CORNER MEMBER DESIGN PRESSURE, A/7, B/7, C/7, A/11, B/11 (PSF)		TRIBUTARY WIDTH 'W' (INCHES)														
MEMBER SPAN 'H' (INCHES)		24.0	30.0	36.0	42.0	48.0	54.0	60.0	66.0	72.0	78.0	84.0	90.0	96.0	102.0	108.0
	48.0		40.0	40.0	40.0	40.0	40.0	40.0	40.0	40.0	40.0	40.0	40.0	40.0	40.0	40.0
54.0		40.0	40.0	40.0	40.0	40.0	35.6	35.6	35.6	35.6	35.6	35.6	35.6	35.6	-	-
60.0		40.0	40.0	40.0	40.0	40.0	35.6	32.0	32.0	32.0	32.0	32.0	-	-	-	-
66.0		40.0	40.0	40.0	40.0	40.0	35.6	32.0	29.1	29.1	29.1	-	-	-	-	-
72.0		40.0	40.0	40.0	40.0	40.0	35.6	32.0	29.1	26.7	-	-	-	-	-	-
78.0		40.0	40.0	40.0	40.0	40.0	35.6	32.0	29.1	-	-	-	-	-	-	-
84.0		40.0	40.0	40.0	40.0	40.0	35.6	32.0	-	-	-	-	-	-	-	-
90.0		40.0	40.0	40.0	40.0	40.0	35.6	-	-	-	-	-	-	-	-	-
96.0		40.0	40.0	40.0	40.0	40.0	35.6	-	-	-	-	-	-	-	-	-
102.0		40.0	40.0	40.0	40.0	40.0	-	-	-	-	-	-	-	-	-	-
108.0		40.0	40.0	40.0	40.0	40.0	-	-	-	-	-	-	-	-	-	-
114.0		40.0	40.0	40.0	40.0	40.0	-	-	-	-	-	-	-	-	-	-
120.0		40.0	40.0	40.0	40.0	40.0	-	-	-	-	-	-	-	-	-	-
126.0		40.0	40.0	40.0	39.5	34.6	-	-	-	-	-	-	-	-	-	-
132.0		40.0	40.0	40.0	34.3	30.1	-	-	-	-	-	-	-	-	-	-
138.0		40.0	40.0	35.1	30.1	26.3	-	-	-	-	-	-	-	-	-	-
144.0		40.0	37.0	30.9	26.5	23.1	-	-	-	-	-	-	-	-	-	-



A
7
OUTSIDE CORNER
STACK MULLION
VERTICAL GASKET CLOSURE



B
7
OUTSIDE CORNER
STACK MULLION
EXTERIOR CLOSURE



C
7
OUTSIDE CORNER
STACK MULLION
SILICONE VERTICAL JOINT

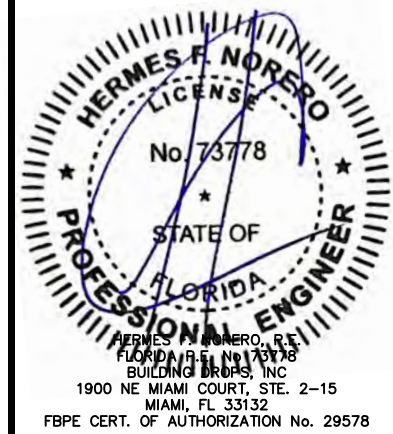
TITLE: TUBELITE® 950SG RIBBON
WALL SYSTEM - 7-3/4" DEPTH
(NON-HVHZ) (NON-IMPACT)
OUTSIDE CORNER DETAILS AND
DESIGN PRESSURE CHARTS

PREPARED BY:
BUILDING DROPS, INC.
1900 NE MIAMI COURT, STE. 2-15
MIAMI, FL 33132
PH: (954)399-8478
FAX: (954)744-4738
WEB: www.buildingdrops.com



REMARKS	BY	DATE

THE INSTALLATION DETAILS DESCRIBED HEREIN ARE GENERIC AND MAY NOT REFLECT ACTUAL CONDITIONS FOR A SPECIFIC SITE. IF SITE CONDITIONS CAUSE INSTALLATION TO DEVIATE FROM THE REQUIREMENTS DETAILED HEREIN, A LICENSED ENGINEER OR ARCHITECT SHALL PREPARE SITE SPECIFIC DOCUMENTS FOR USE WITH THIS DOCUMENT



FL #:	FL40971
DATE:	10.17.23
DWG. BY:	SH
CHK. BY:	HFN
SCALE:	NTS
DWG. #:	TLI026
SECTION	7

OUTSIDE CORNER DETAILS AND DESIGN PRESSURE CHARTS

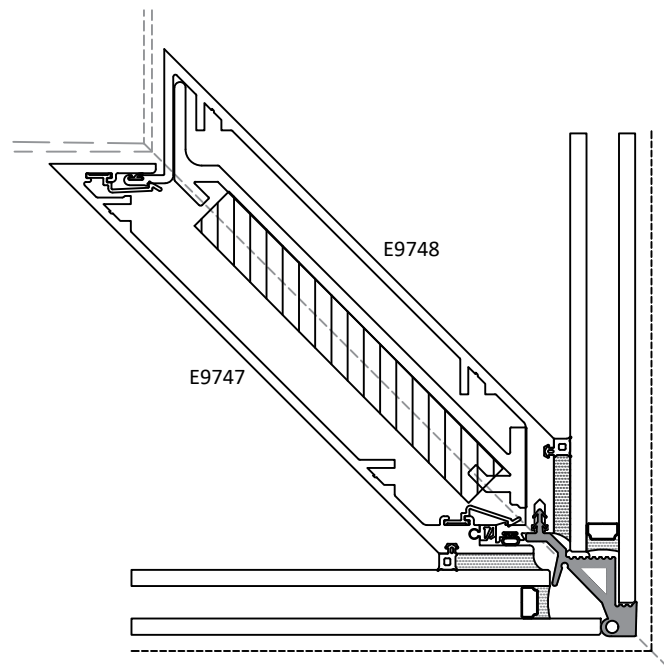
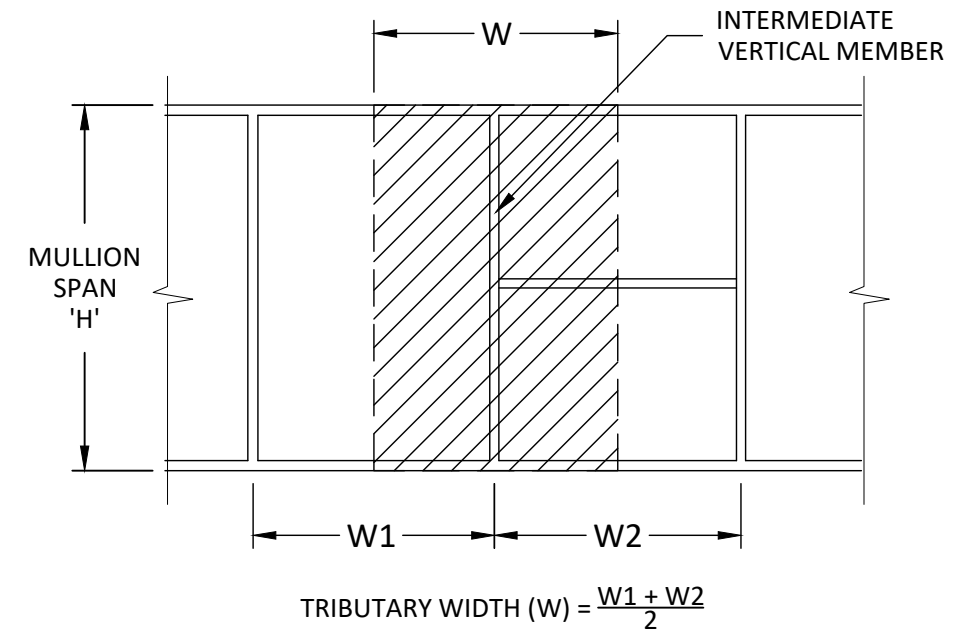
TUBELITE®
DEPENDABLE

LEADERS IN ECO-EFFICIENT STOREFRONT,
CURTAINWALL AND ENTRANCE SYSTEMS

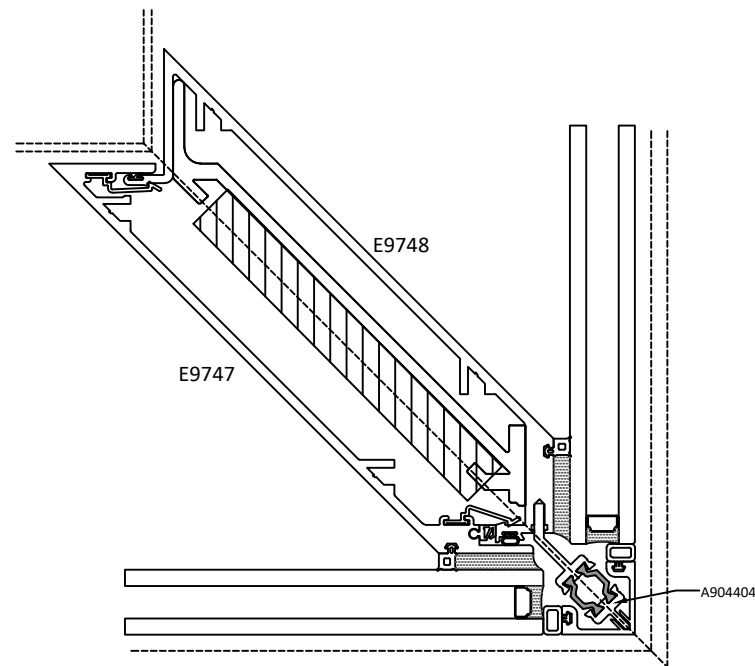
3056 WALKER RIDGE DRIVE N.W.
WALKER, MICHIGAN 49544
PH: 800 866 2227 FX: 616 301 0008

CORNER MEMBER DESIGN PRESSURE, A/8, B/8, C/8, D/11, E/11 (PSF)

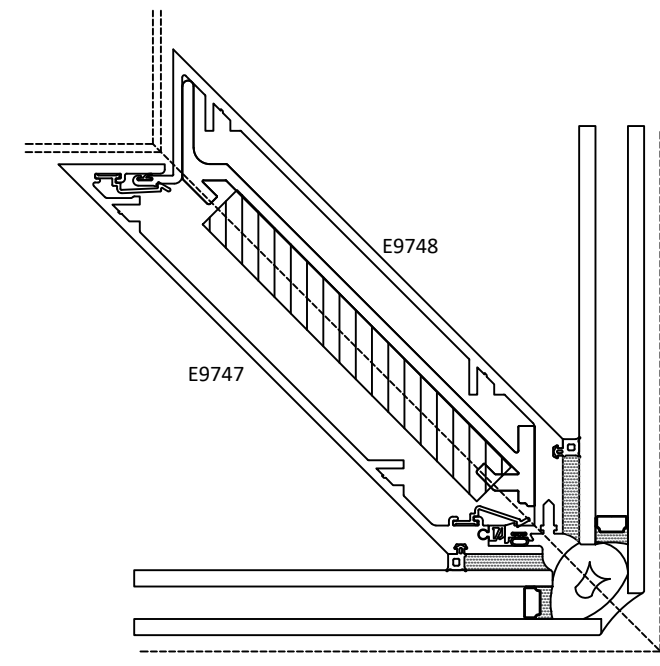
		TRIBUTARY WIDTH 'W' (INCHES)														
		24.0	30.0	36.0	42.0	48.0	54.0	60.0	66.0	72.0	78.0	84.0	90.0	96.0	102.0	108.0
MEMBER SPAN 'H' (INCHES)	48.0	40.0	40.0	40.0	40.0	40.0	40.0	40.0	40.0	40.0	40.0	40.0	40.0	40.0	40.0	40.0
	54.0	40.0	40.0	40.0	40.0	40.0	35.6	35.6	35.6	35.6	35.6	35.6	35.6	35.6	-	-
	60.0	40.0	40.0	40.0	40.0	40.0	35.6	32.0	32.0	32.0	32.0	32.0	-	-	-	-
	66.0	40.0	40.0	40.0	40.0	40.0	35.6	32.0	29.1	29.1	29.1	-	-	-	-	-
	72.0	40.0	40.0	40.0	40.0	40.0	35.6	32.0	29.1	26.7	-	-	-	-	-	-
	78.0	40.0	40.0	40.0	40.0	40.0	35.6	32.0	29.1	-	-	-	-	-	-	-
	84.0	40.0	40.0	40.0	40.0	40.0	35.6	32.0	-	-	-	-	-	-	-	-
	90.0	40.0	40.0	40.0	40.0	40.0	35.6	-	-	-	-	-	-	-	-	-
	96.0	40.0	40.0	40.0	40.0	40.0	35.6	-	-	-	-	-	-	-	-	-
	102.0	40.0	40.0	40.0	40.0	40.0	-	-	-	-	-	-	-	-	-	-
	108.0	40.0	40.0	40.0	40.0	40.0	-	-	-	-	-	-	-	-	-	-
	114.0	40.0	40.0	40.0	40.0	40.0	-	-	-	-	-	-	-	-	-	-
	120.0	40.0	40.0	40.0	40.0	40.0	-	-	-	-	-	-	-	-	-	-
	126.0	40.0	40.0	40.0	40.0	40.0	-	-	-	-	-	-	-	-	-	-
	132.0	40.0	40.0	40.0	40.0	40.0	-	-	-	-	-	-	-	-	-	-
	138.0	40.0	40.0	40.0	40.0	40.0	-	-	-	-	-	-	-	-	-	-
	144.0	40.0	40.0	40.0	40.0	40.0	-	-	-	-	-	-	-	-	-	-
	150.0	40.0	40.0	40.0	40.0	35.4	-	-	-	-	-	-	-	-	-	-
156.0	40.0	40.0	40.0	36.0	31.5	-	-	-	-	-	-	-	-	-	-	
162.0	40.0	40.0	37.5	32.1	28.1	-	-	-	-	-	-	-	-	-	-	
168.0	40.0	40.0	33.6	28.8	25.2	-	-	-	-	-	-	-	-	-	-	
174.0	40.0	36.3	30.2	25.9	22.7	-	-	-	-	-	-	-	-	-	-	
180.0	40.0	32.8	27.3	23.4	20.5	-	-	-	-	-	-	-	-	-	-	



A **8** **OUTSIDE CORNER**
STACK MULLION
VERTICAL GASKET CLOSURE
6" X 0.75" A36 STEEL REINFORCEMENT



B **8** **OUTSIDE CORNER**
STACK MULLION
EXTERIOR CLOSURE
6" X 0.75" A36 STEEL REINFORCEMENT



C **8** **OUTSIDE CORNER**
STACK MULLION
SILICONE VERTICAL JOINT
6" X 0.75" A36 STEEL REINFORCEMENT

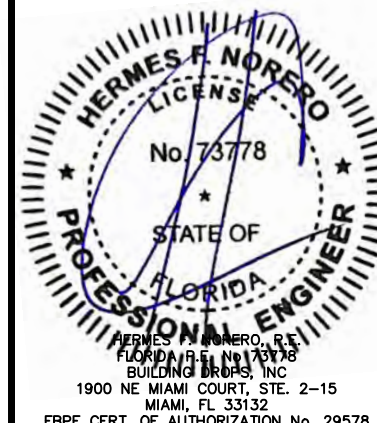
TITLE: TUBELITE® 950SG RIBBON
WALL SYSTEM - 7-3/4" DEPTH
(NON-HVHZ) (NON-IMPACT)
OUTSIDE CORNER DETAILS AND
DESIGN PRESSURE CHARTS

PREPARED BY:
BUILDING DROPS, INC.
1900 NE MIAMI COURT, STE. 2-15
MIAMI, FL 33132
PH: (954)399-8478
FAX: (954)744-4738
WEB: www.buildingdrops.com



REMARKS	BY	DATE

THE INSTALLATION DETAILS DESCRIBED HEREIN ARE GENERIC AND MAY NOT REFLECT ACTUAL CONDITIONS FOR A SPECIFIC SITE. IF SITE CONDITIONS CAUSE INSTALLATION TO DEVIATE FROM THE REQUIREMENTS DETAILED HEREIN, A LICENSED ENGINEER OR ARCHITECT SHALL PREPARE SITE SPECIFIC DOCUMENTS FOR USE WITH THIS DOCUMENT



FL #:
FL40971

DATE: **10.17.23**

DWG. BY: **SH** CHK. BY: **HFN**

SCALE: **NTS**

DWG. #: **TLI026**

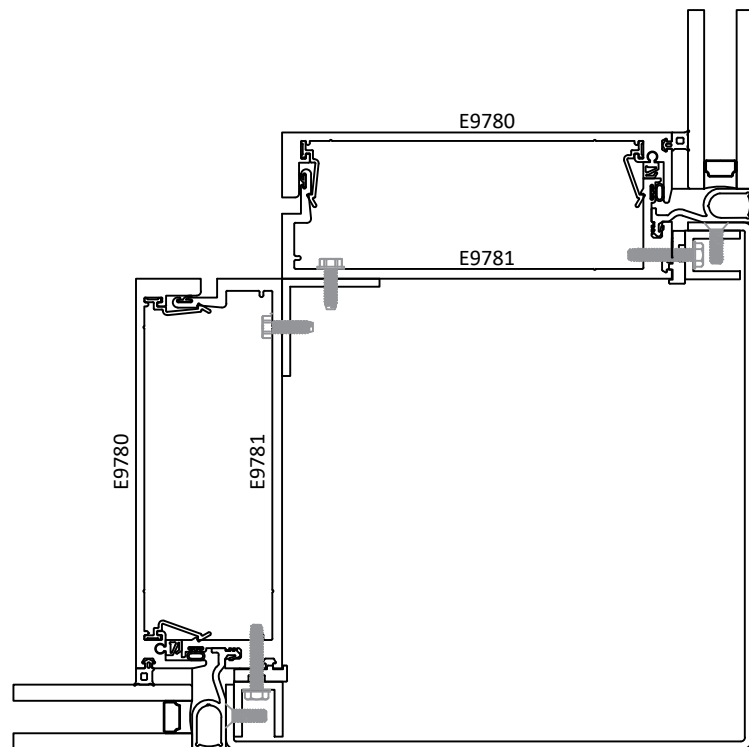
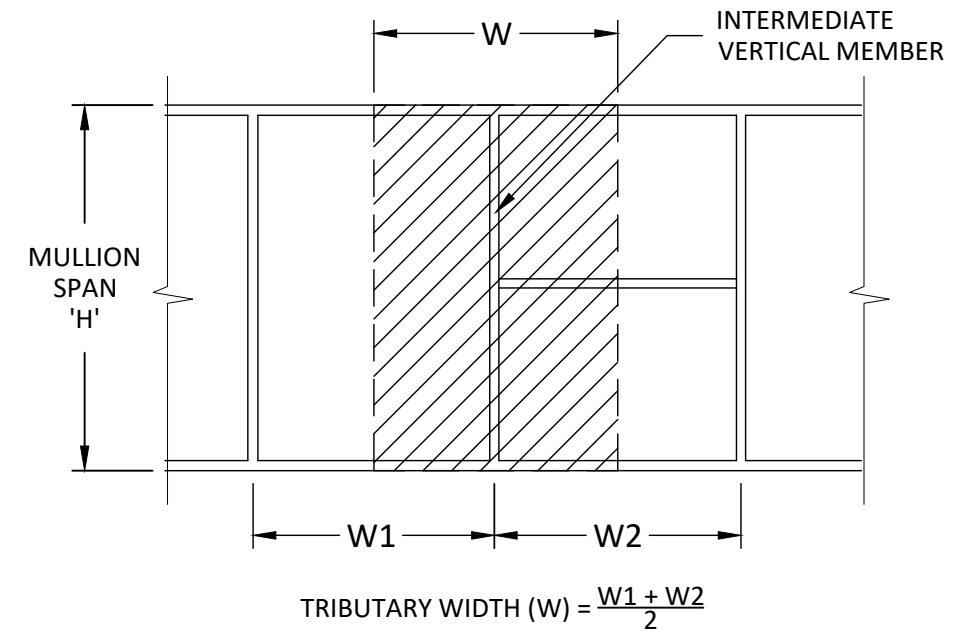
SECTION
8
OF 17

OUTSIDE CORNER DETAILS AND DESIGN PRESSURE CHARTS

TUBELITE®
DEPENDABLE
LEADERS IN ECO-EFFICIENT STOREFRONT,
CURTAINWALL AND ENTRANCE SYSTEMS

3056 WALKER RIDGE DRIVE N.W.
WALKER, MICHIGAN 49544
PH: 800 866 2227 FX: 616 301 0008

CORNER MEMBER DESIGN PRESSURE, A/9, C/11 (PSF)		TRIBUTARY WIDTH 'W' (INCHES)														
MEMBER SPAN 'H' (INCHES)		24.0	30.0	36.0	42.0	48.0	54.0	60.0	66.0	72.0	78.0	84.0	90.0	96.0	102.0	108.0
	48.0		40.0	40.0	40.0	40.0	40.0	40.0	40.0	40.0	40.0	40.0	40.0	40.0	40.0	40.0
54.0		40.0	40.0	40.0	40.0	40.0	35.6	35.6	35.6	35.6	35.6	35.6	35.6	35.6	-	-
60.0		40.0	40.0	40.0	40.0	40.0	35.6	32.0	32.0	32.0	32.0	32.0	-	-	-	-
66.0		40.0	40.0	40.0	40.0	40.0	35.6	32.0	29.1	29.1	29.1	-	-	-	-	-
72.0		40.0	40.0	40.0	40.0	40.0	35.6	32.0	29.1	26.7	-	-	-	-	-	-
78.0		40.0	40.0	40.0	40.0	40.0	35.6	32.0	29.1	-	-	-	-	-	-	-
84.0		40.0	40.0	40.0	40.0	40.0	35.6	32.0	-	-	-	-	-	-	-	-
90.0		40.0	40.0	40.0	40.0	40.0	35.6	-	-	-	-	-	-	-	-	-
96.0		40.0	40.0	40.0	40.0	40.0	35.6	-	-	-	-	-	-	-	-	-
102.0		40.0	40.0	40.0	40.0	40.0	-	-	-	-	-	-	-	-	-	-
108.0		40.0	40.0	40.0	40.0	40.0	-	-	-	-	-	-	-	-	-	-
114.0		40.0	40.0	40.0	40.0	40.0	-	-	-	-	-	-	-	-	-	-
120.0		40.0	40.0	40.0	40.0	40.0	-	-	-	-	-	-	-	-	-	-
126.0		40.0	40.0	40.0	40.0	40.0	-	-	-	-	-	-	-	-	-	-
132.0		40.0	40.0	40.0	40.0	40.0	-	-	-	-	-	-	-	-	-	-
138.0		40.0	40.0	40.0	40.0	38.4	-	-	-	-	-	-	-	-	-	-
144.0		40.0	40.0	40.0	38.6	33.8	-	-	-	-	-	-	-	-	-	-



A
9 OUTSIDE CORNER
CORNER CLOSURE

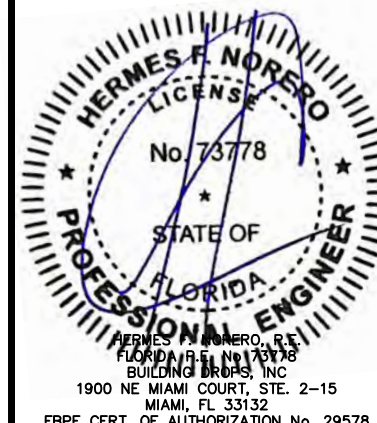
TITLE: TUBELITE® 950SG RIBBON
WALL SYSTEM - 7-3/4" DEPTH
(NON-HVHZ) (NON-IMPACT)
OUTSIDE CORNER DETAILS AND
DESIGN PRESSURE CHARTS

PREPARED BY:
BUILDING DROPS, INC.
1900 NE MIAMI COURT, STE. 2-15
MIAMI, FL 33132
PH: (954)399-8478
FAX: (954)744-4738
WEB: www.buildingdrops.com



REMARKS	BY	DATE

THE INSTALLATION DETAILS DESCRIBED HEREIN ARE GENERIC AND MAY NOT REFLECT ACTUAL CONDITIONS FOR A SPECIFIC SITE. IF SITE CONDITIONS CAUSE INSTALLATION TO DEVIATE FROM THE REQUIREMENTS DETAILED HEREIN, A LICENSED ENGINEER OR ARCHITECT SHALL PREPARE SITE SPECIFIC DOCUMENTS FOR USE WITH THIS DOCUMENT



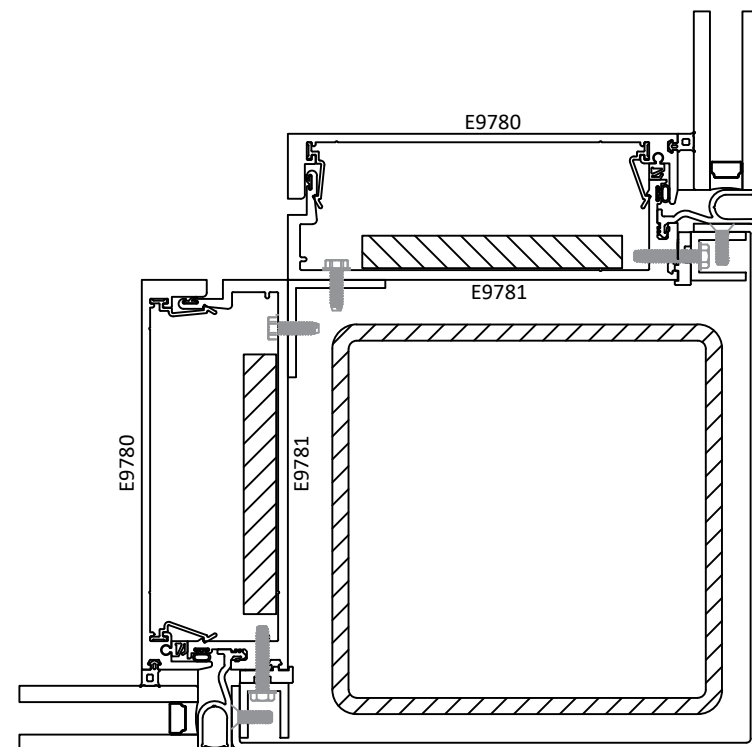
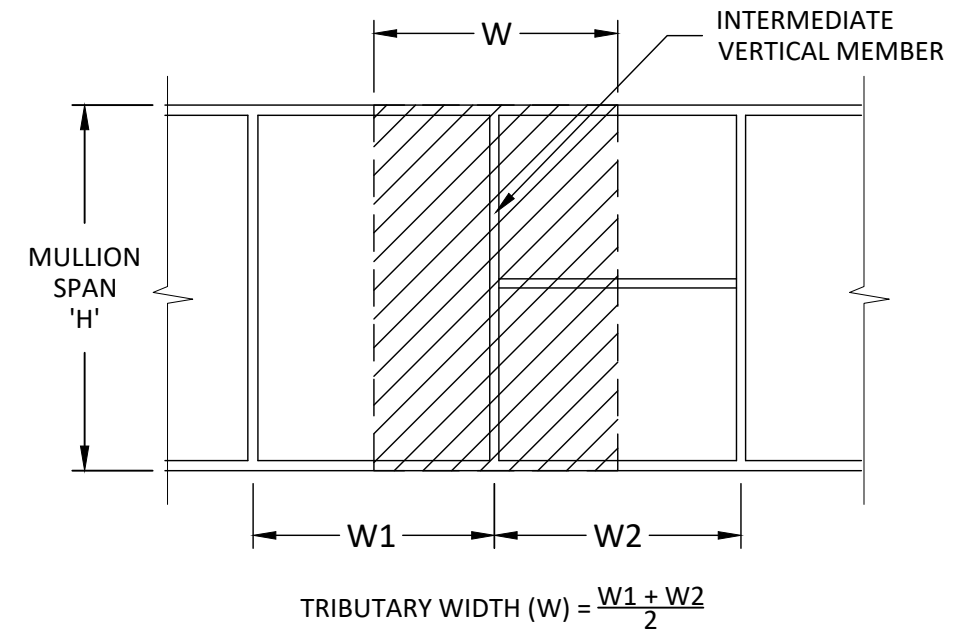
FL #:	FL40971
DATE:	10.17.23
DWG. BY:	SH
CHK. BY:	HFN
SCALE:	NTS
DWG. #:	TLI026
SECTION	9

OUTSIDE CORNER DETAILS AND DESIGN PRESSURE CHARTS

TUBELITE®
 DEPENDABLE
 LEADERS IN ECO-EFFICIENT STOREFRONT,
 CURTAINWALL AND ENTRANCE SYSTEMS

3056 WALKER RIDGE DRIVE N.W.
 WALKER, MICHIGAN 49544
 PH: 800 866 2227 FX: 616 301 0008

		CORNER MEMBER DESIGN PRESSURE, A/10, F/11 (PSF)															
		TRIBUTARY WIDTH 'W' (INCHES)															
MEMBER SPAN 'H' (INCHES)		24.0	30.0	36.0	42.0	48.0	54.0	60.0	66.0	72.0	78.0	84.0	90.0	96.0	102.0	108.0	
	48.0	40.0	40.0	40.0	40.0	40.0	40.0	40.0	40.0	40.0	40.0	40.0	40.0	40.0	40.0	40.0	40.0
	54.0	40.0	40.0	40.0	40.0	40.0	35.6	35.6	35.6	35.6	35.6	35.6	35.6	35.6	-	-	-
	60.0	40.0	40.0	40.0	40.0	40.0	35.6	32.0	32.0	32.0	32.0	32.0	-	-	-	-	-
	66.0	40.0	40.0	40.0	40.0	40.0	35.6	32.0	29.1	29.1	29.1	-	-	-	-	-	-
	72.0	40.0	40.0	40.0	40.0	40.0	35.6	32.0	29.1	26.7	-	-	-	-	-	-	-
	78.0	40.0	40.0	40.0	40.0	40.0	35.6	32.0	29.1	-	-	-	-	-	-	-	-
	84.0	40.0	40.0	40.0	40.0	40.0	35.6	32.0	-	-	-	-	-	-	-	-	-
	90.0	40.0	40.0	40.0	40.0	40.0	35.6	-	-	-	-	-	-	-	-	-	-
	96.0	40.0	40.0	40.0	40.0	40.0	35.6	-	-	-	-	-	-	-	-	-	-
	102.0	40.0	40.0	40.0	40.0	40.0	-	-	-	-	-	-	-	-	-	-	-
	108.0	40.0	40.0	40.0	40.0	40.0	-	-	-	-	-	-	-	-	-	-	-
	114.0	40.0	40.0	40.0	40.0	40.0	-	-	-	-	-	-	-	-	-	-	-
	120.0	40.0	40.0	40.0	40.0	40.0	-	-	-	-	-	-	-	-	-	-	-
	126.0	40.0	40.0	40.0	40.0	40.0	-	-	-	-	-	-	-	-	-	-	-
	132.0	40.0	40.0	40.0	40.0	40.0	-	-	-	-	-	-	-	-	-	-	-
	138.0	40.0	40.0	40.0	40.0	40.0	-	-	-	-	-	-	-	-	-	-	-
	144.0	40.0	40.0	40.0	40.0	40.0	-	-	-	-	-	-	-	-	-	-	-
150.0	40.0	40.0	40.0	40.0	40.0	-	-	-	-	-	-	-	-	-	-	-	
156.0	40.0	40.0	40.0	40.0	40.0	-	-	-	-	-	-	-	-	-	-	-	
162.0	40.0	40.0	40.0	40.0	40.0	-	-	-	-	-	-	-	-	-	-	-	
168.0	40.0	40.0	40.0	40.0	40.0	-	-	-	-	-	-	-	-	-	-	-	
174.0	40.0	40.0	40.0	40.0	40.0	-	-	-	-	-	-	-	-	-	-	-	
180.0	40.0	40.0	40.0	40.0	40.0	-	-	-	-	-	-	-	-	-	-	-	



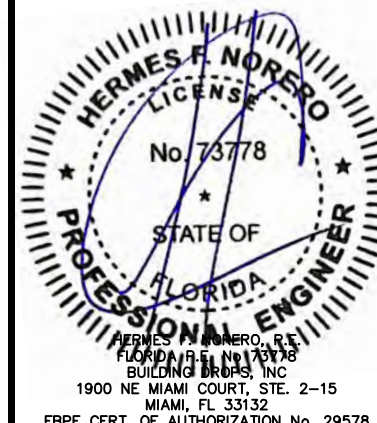
A
10
OUTSIDE CORNER
 CORNER CLOSURE
 4" X 0.5" A36 STEEL PLATE
 6" X 6" X 0.25" A36 STEEL TUBE

TITLE: TUBELITE® 950SG RIBBON
 WALL SYSTEM - 7-3/4" DEPTH
 (NON-HVHZ) (NON-IMPACT)
 OUTSIDE CORNER DETAILS AND
 DESIGN PRESSURE CHARTS

PREPARED BY:
BUILDING DROPS, INC.
 1900 NE MIAMI COURT, STE. 2-15
 MIAMI, FL 33132
 PH: (954)399-8478
 FAX: (954)744-4738
 WEB: www.buildingdrops.com

REMARKS	BY	DATE

THE INSTALLATION DETAILS DESCRIBED HEREIN ARE GENERIC AND MAY NOT REFLECT ACTUAL CONDITIONS FOR A SPECIFIC SITE. IF SITE CONDITIONS CAUSE INSTALLATION TO DEVIATE FROM THE REQUIREMENTS DETAILED HEREIN, A LICENSED ENGINEER OR ARCHITECT SHALL PREPARE SITE SPECIFIC DOCUMENTS FOR USE WITH THIS DOCUMENT



FL #:
FL40971

DATE: **10.17.23**

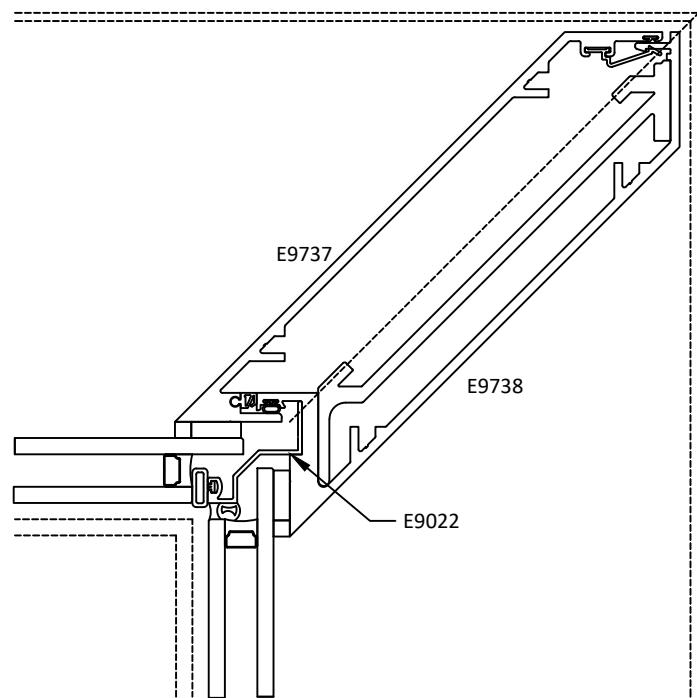
DWG. BY: **SH** CHK. BY: **HFN**

SCALE: **NTS**

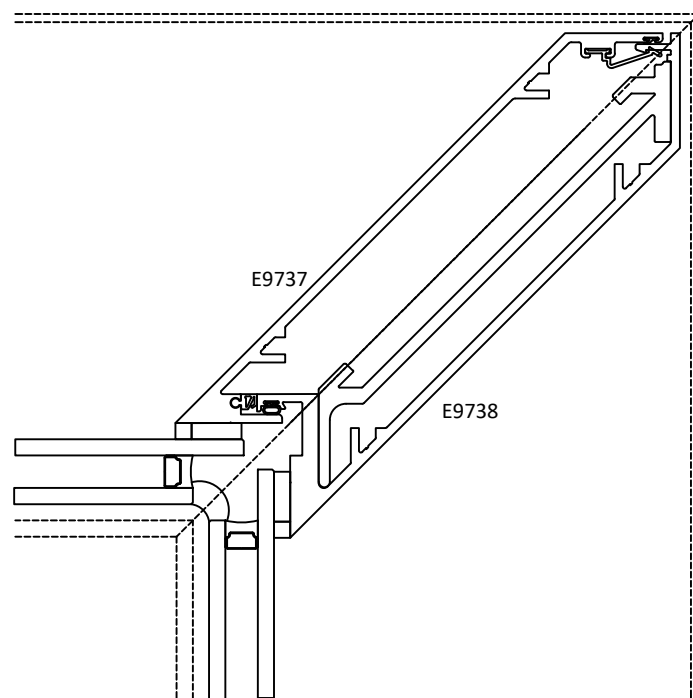
DWG. #: **TLI026**

SECTION
10
 OF 17

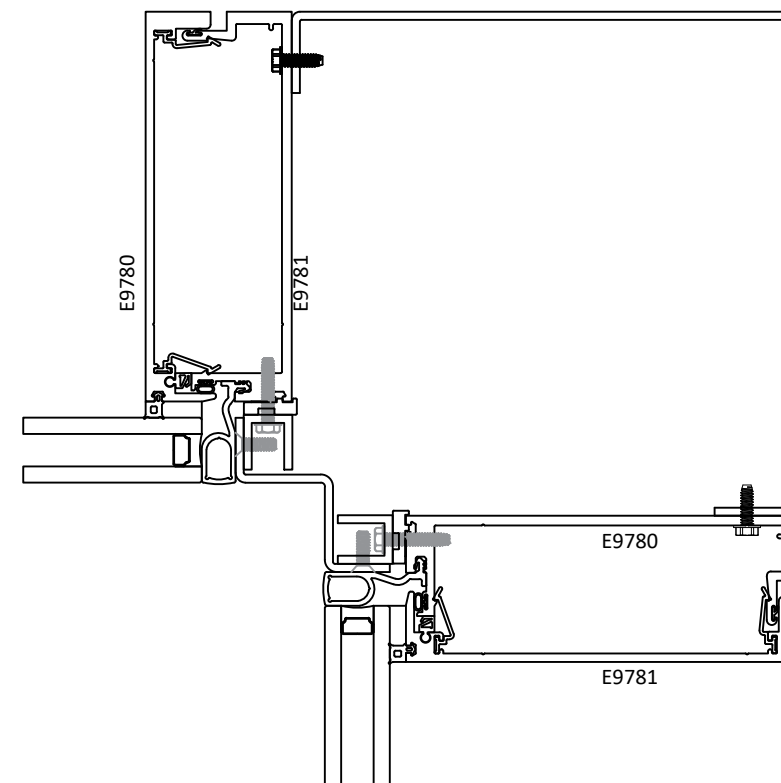
INSIDE CORNER DETAILS



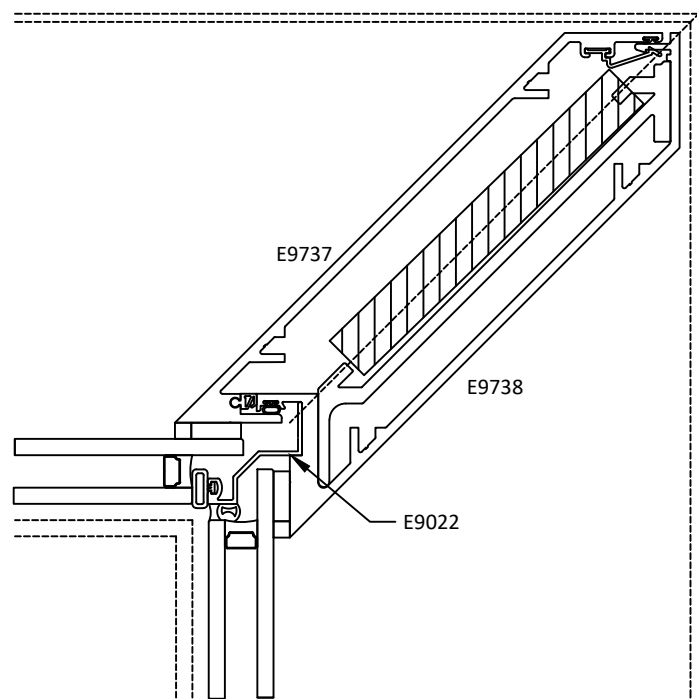
A
11 **INSIDE CORNER**
STACK MULLION
VERTICAL GASKET CLOSURE



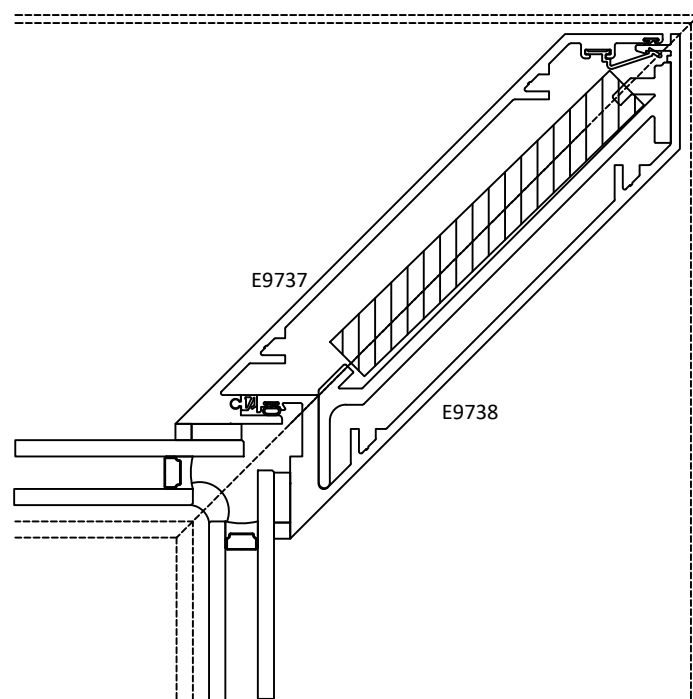
B
11 **INSIDE CORNER**
STACK MULLION
SILICONE VERTICAL JOINT



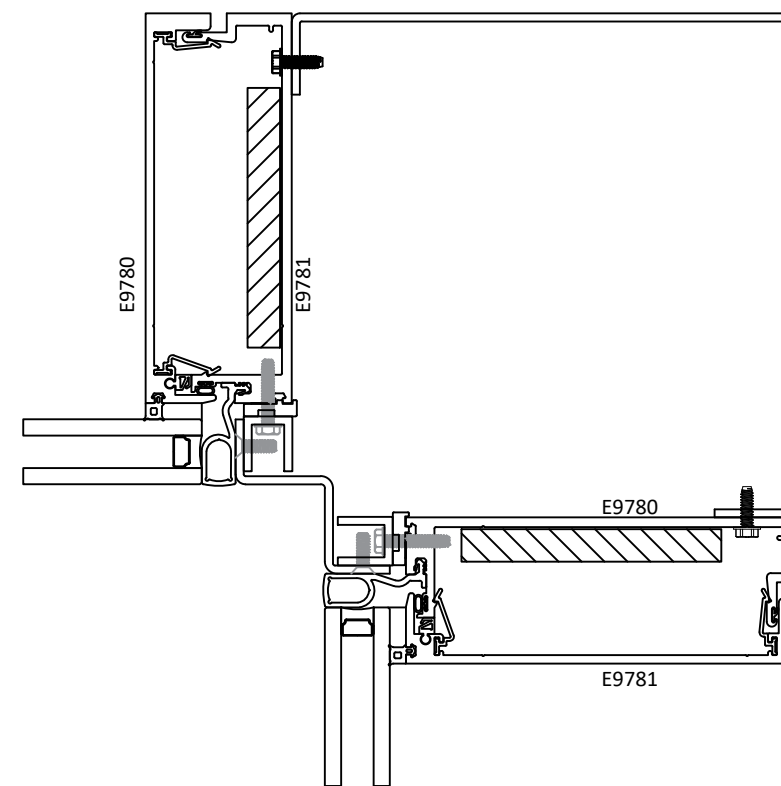
C
11 **INSIDE CORNER**
CORNER CLOSURE



D
11 **INSIDE CORNER**
STACK MULLION
VERTICAL GASKET CLOSURE
6" X 0.75" A36 STEEL REINFORCEMENT



E
11 **INSIDE CORNER**
STACK MULLION
SILICONE VERTICAL JOINT
6" X 0.75" A36 STEEL REINFORCEMENT



F
11 **INSIDE CORNER**
CORNER CLOSURE
4" X 0.5" A36 STEEL PLATE
6" X 6" X 0.25" A36 STEEL TUBE

NOTE:
A/11, B/11 CAPACITY SEE CHART ON SHEET 7
D/11, E/11 CAPACITY SEE CHART ON SHEET 8
C/11 CAPACITY SEE CHART ON SHEET 9
D/11 CAPACITY SEE CHART ON SHEET 10

TUBELITE®
DEPENDABLE
LEADERS IN ECO-EFFICIENT STOREFRONT,
CURTAINWALL AND ENTRANCE SYSTEMS

3056 WALKER RIDGE DRIVE N.W.
WALKER, MICHIGAN 49544
PH: 800 866 2227 FX: 616 301 0008

TITLE: TUBELITE® 950SG RIBBON
WALL SYSTEM - 7-3/4" DEPTH
(NON-HVHZ) (NON-IMPACT)

INSIDE CORNER DETAILS

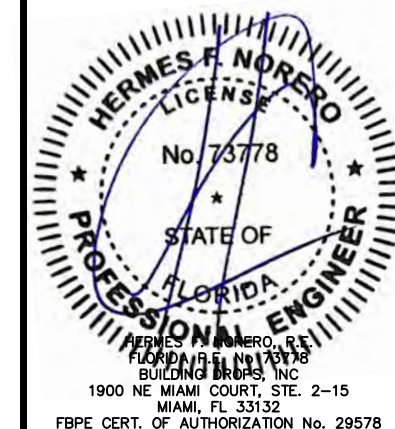
PREPARED BY:

BUILDING DROPS, INC.
1900 NE MIAMI COURT, STE. 2-15
MIAMI, FL 33132
PH: (954)399-8478
FAX: (954)744-4738
WEB: www.buildingdrops.com



REMARKS	BY	DATE

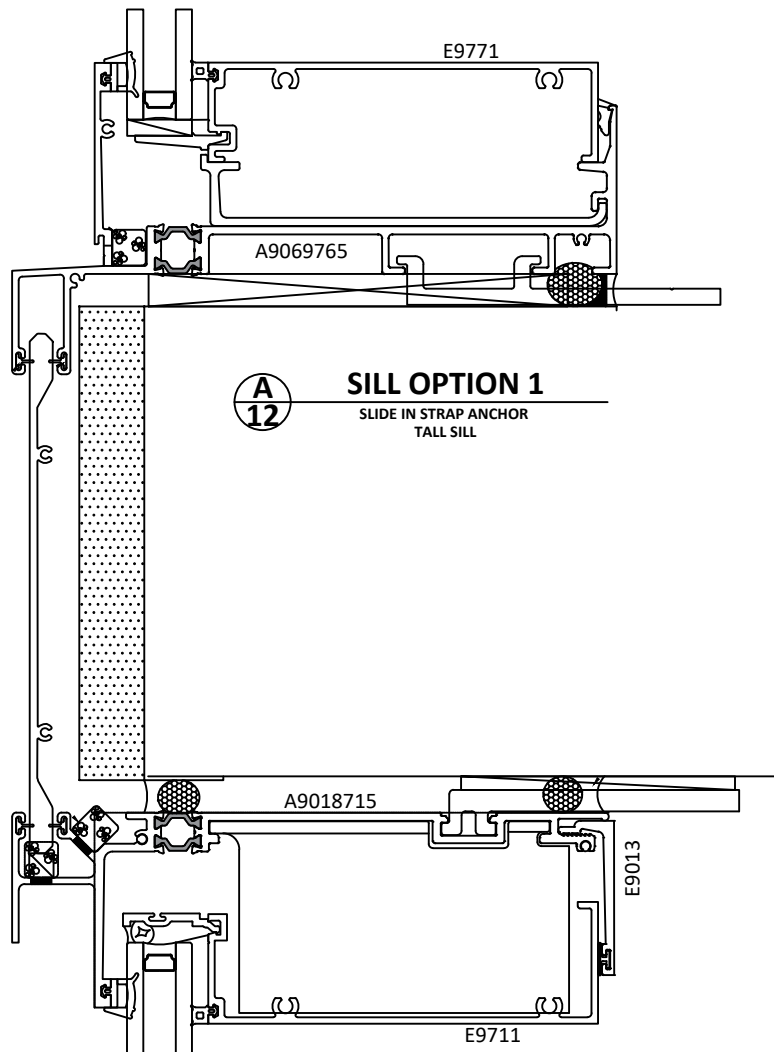
THE INSTALLATION DETAILS DESCRIBED HEREIN ARE GENERIC AND MAY NOT REFLECT ACTUAL CONDITIONS FOR A SPECIFIC SITE. IF SITE CONDITIONS CAUSE INSTALLATION TO DEVIATE FROM THE REQUIREMENTS DETAILED HEREIN, A LICENSED ENGINEER OR ARCHITECT SHALL PREPARE SITE SPECIFIC DOCUMENTS FOR USE WITH THIS DOCUMENT



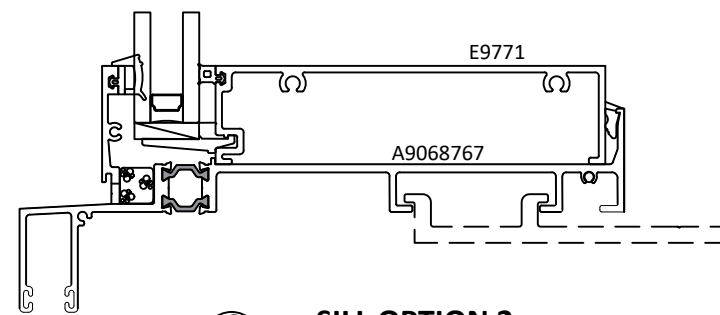
FL #:	FL40971
DATE:	10.17.23
DWG. BY:	SH
CHK. BY:	HFN
SCALE:	NTS
DWG. #:	TLI026

SECTION
11
OF 17

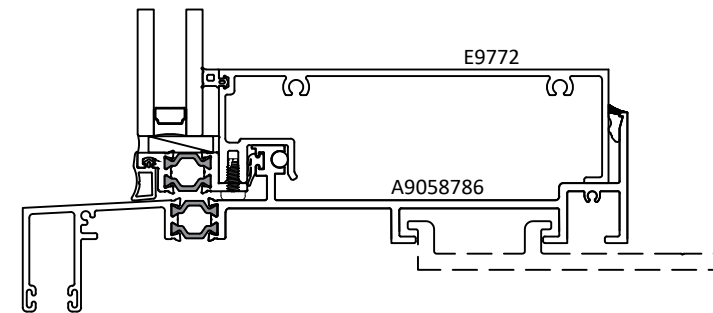
SLAB DETAILS



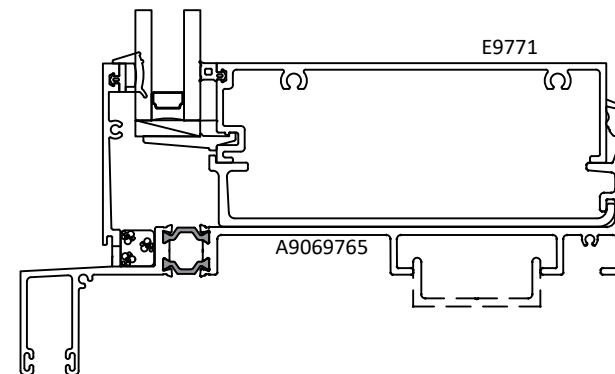
A
12 **SILL OPTION 1**
SLIDE IN STRAP ANCHOR
TALL SILL



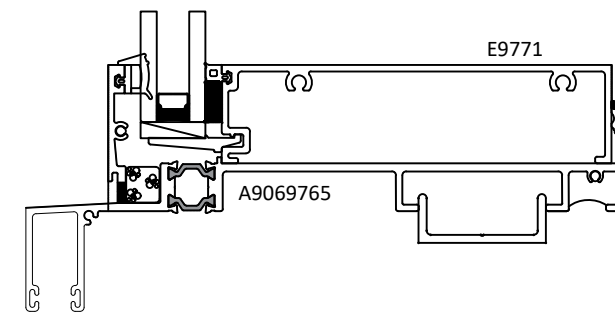
C
12 **SILL OPTION 2**
SLIDE IN STRAP ANCHOR
LOW SILL



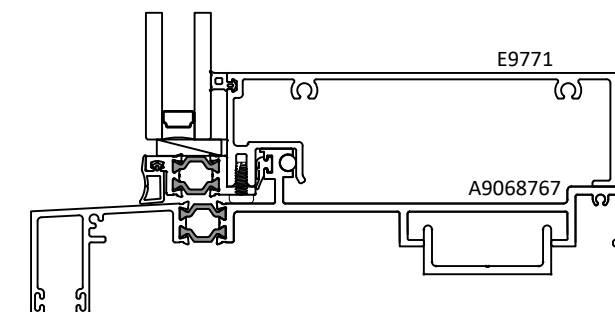
D
12 **SILL OPTION 3**
SLIDE IN STRAP ANCHOR
ROLL-OVER SILL



E
12 **SILL OPTION 4**
CHANNEL ANCHOR
TALL SILL



F
12 **SILL OPTION 5**
CHANNEL ANCHOR
LOW SILL



G
12 **SILL OPTION 6**
CHANNEL ANCHOR
ROLL-OVER SILL

B
12 **HEAD OPTION 1**
SLIDE IN ANCHOR

MAX. SLAB THICKNESS	SLAB COVER EXTRUSION
10"	E9425
9.5"	E9424
8"	E9414

TUBELITE®
DEPENDABLE
LEADERS IN ECO-EFFICIENT STOREFRONT,
CURTAINWALL AND ENTRANCE SYSTEMS

3056 WALKER RIDGE DRIVE N.W.
WALKER, MICHIGAN 49544
PH: 800 866 2227 FX: 616 301 0008

TITLE: TUBELITE® 950SG RIBBON
WALL SYSTEM - 7-3/4" DEPTH
(NON-HVHZ) (NON-IMPACT)

SLAB DETAILS

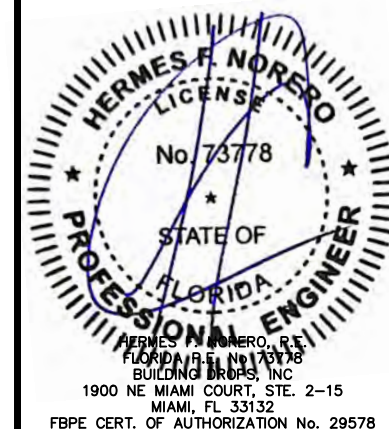
PREPARED BY: BUILDING DROPS, INC.
1900 NE MIAMI COURT, STE. 2-15
MIAMI, FL 33132

PH: (954)399-8478
FAX: (954)744-4738
WEB: www.buildingdrops.com



REMARKS	BY	DATE

THE INSTALLATION DETAILS DESCRIBED HEREIN ARE GENERIC AND MAY NOT REFLECT ACTUAL CONDITIONS FOR A SPECIFIC SITE. IF SITE CONDITIONS CAUSE INSTALLATION TO DEVIATE FROM THE REQUIREMENTS DETAILED HEREIN, A LICENSED ENGINEER OR ARCHITECT SHALL PREPARE SITE SPECIFIC DOCUMENTS FOR USE WITH THIS DOCUMENT



FL #: **FL40971**

DATE: **10.17.23**

DWG. BY: **SH** CHK. BY: **HFN**

SCALE: **NTS**

DWG. #: **TLI026**

SECTION

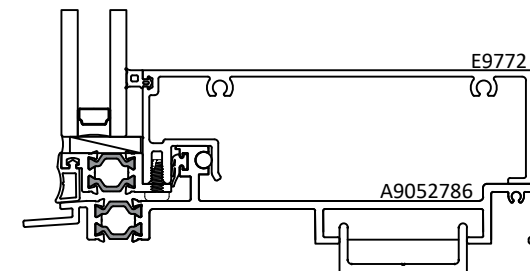
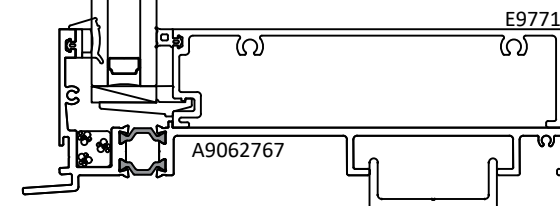
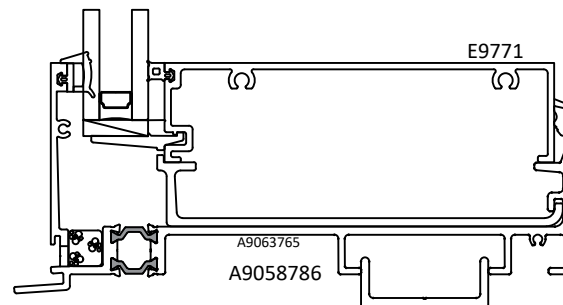
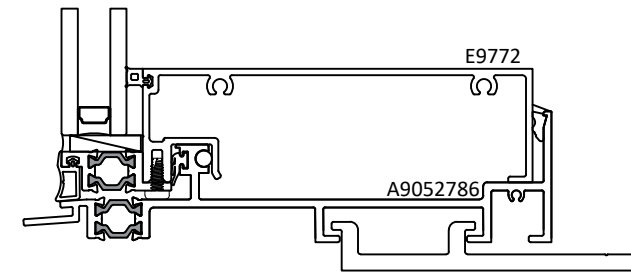
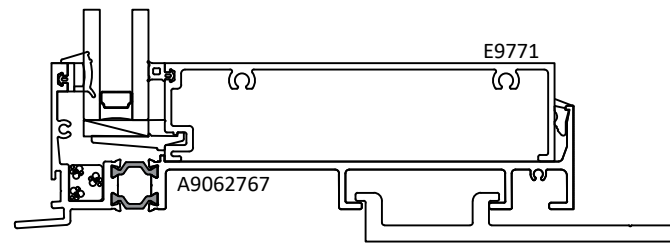
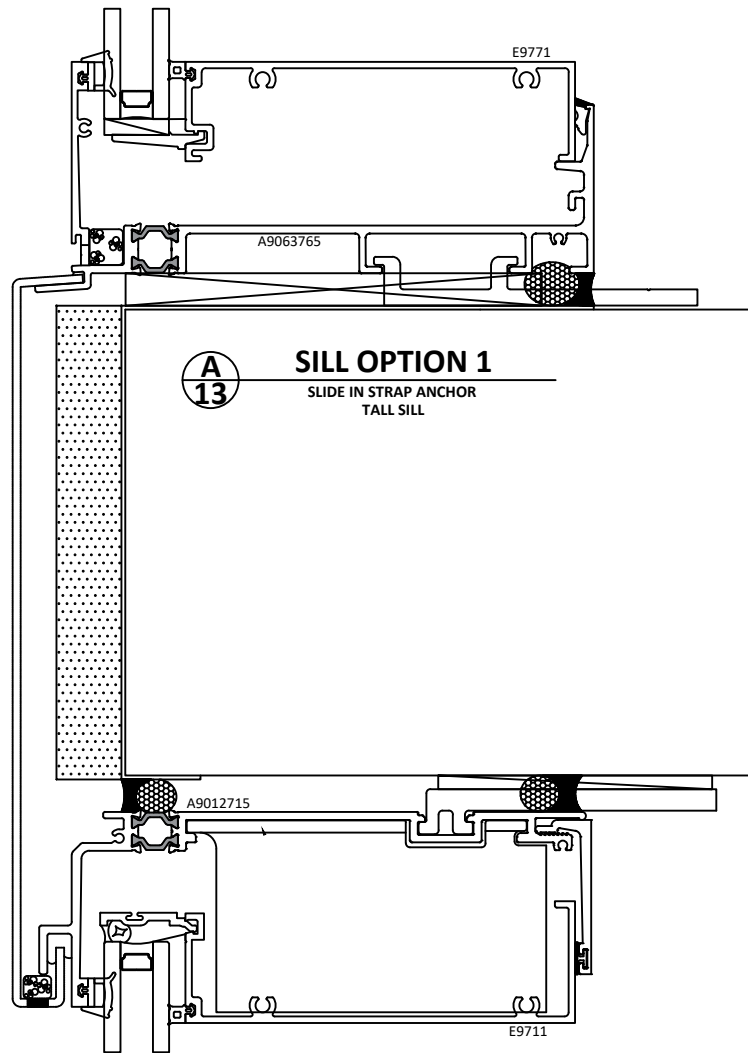
12

OF 17

10/19/2023 4:52 PM
s:\projects\tubelite, inc\fbcr-23-0825-1 - fbc submittal - 1350_4000 series operable vents & fl40971 950sg revision.dwg s:\950 sg www.tli026.dwg

10/19/2023 4:52 PM
 s:\projects\tubelite, inc\fbcr-23-0825.1 - fbc submittal - 1350_4000 series operable vents & fl40971_950gr revision.dwg
 s:\projects\tubelite, inc\fbcr-23-0825.1 - fbc submittal - 1350_4000 series operable vents & fl40971_950gr revision.dwg

SLAB DETAILS



TUBELITE®
 DEPENDABLE
 LEADERS IN ECO-EFFICIENT STOREFRONT,
 CURTAINWALL AND ENTRANCE SYSTEMS

3056 WALKER RIDGE DRIVE N.W.
 WALKER, MICHIGAN 49544
 PH: 800 866 2227 FX: 616 301 0008

TITLE: TUBELITE® 950SG RIBBON
 WALL SYSTEM - 7-3/4" DEPTH
 (NON-HVHZ) (NON-IMPACT)

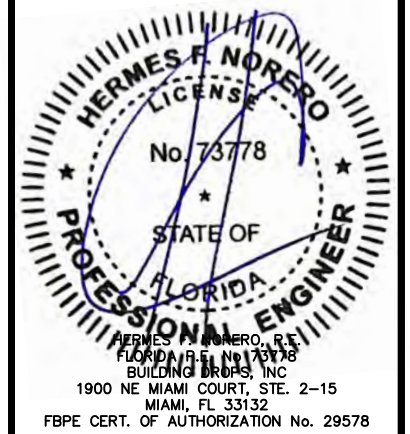
SLAB DETAILS

PREPARED BY:
BUILDING DROPS, INC.
 1900 NE MIAMI COURT, STE. 2-15
 MIAMI, FL 33132
 PH: (954)399-8478
 FAX: (954)744-4738
 WEB: www.buildingdrops.com



REMARKS	BY	DATE

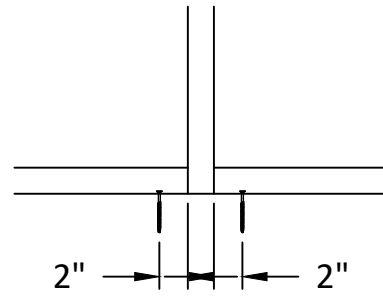
THE INSTALLATION DETAILS DESCRIBED HEREIN ARE GENERIC AND MAY NOT REFLECT ACTUAL CONDITIONS FOR A SPECIFIC SITE. IF SITE CONDITIONS CAUSE INSTALLATION TO DEVIATE FROM THE REQUIREMENTS DETAILED HEREIN, A LICENSED ENGINEER OR ARCHITECT SHALL PREPARE SITE SPECIFIC DOCUMENTS FOR USE WITH THIS DOCUMENT



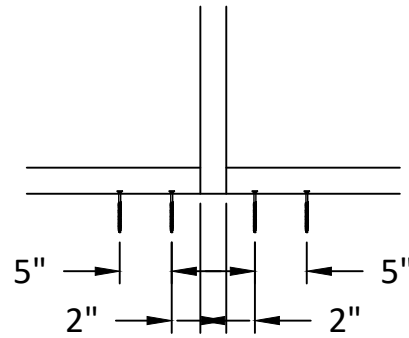
FL #: **FL40971**
 DATE: **10.17.23**
 DWG. BY: **SH** CHK. BY: **HFN**
 SCALE: **NTS**
 DWG. #: **TLI026**

SECTION
13
 OF 17

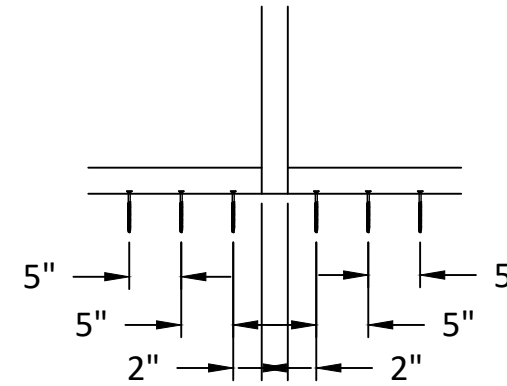
ANCHOR DETAILS AND INSTALLATION NOTES



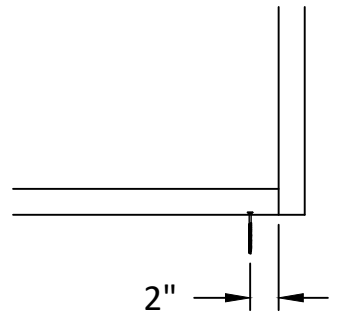
A
14 ANCHOR DETAIL
INTERMEDIATE
A1, B1, C1



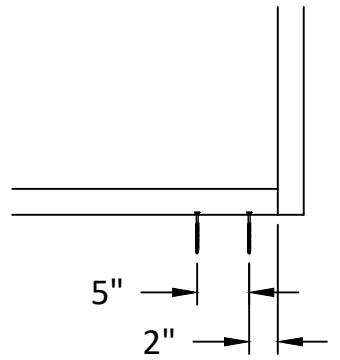
B
14 ANCHOR DETAIL
INTERMEDIATE
A2, B2, C2



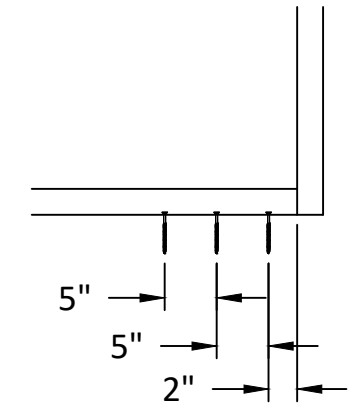
C
14 ANCHOR DETAIL
INTERMEDIATE
A3, B3, C3



D
14 ANCHOR DETAIL
JAMB
A1, B1, C1



E
14 ANCHOR DETAIL
JAMB
A2, B2, C2



E
14 ANCHOR DETAIL
JAMB
A3, B3, C3

INSTALLATION NOTES:

- ONE (1) INSTALLATION ANCHOR IS REQUIRED AT EACH ANCHOR LOCATION.
- THE NUMBER OF INSTALLATION ANCHORS DEPICTED IS THE MINIMUM NUMBER OF ANCHORS TO BE USED FOR PRODUCT INSTALLATION OF THE MAXIMUM SIZE LISTED.
- INSTALL INDIVIDUAL INSTALLATION ANCHORS WITHIN A TOLERANCE OF $\pm 1/4$ INCH THE DEPICTED LOCATION & SPACING IN THE ANCHOR LAYOUT DETAILS (I.E., WITHOUT CONSIDERATION OF TOLERANCES). TOLERANCES ARE NOT CUMULATIVE FROM ONE INSTALLATION ANCHOR TO THE NEXT.
- SHIM AS REQUIRED AT EACH INSTALLATION ANCHOR WITH LOAD BEARING SHIM(S). MAXIMUM ALLOWABLE SHIM STACK TO BE 1/4 INCH. SHIM WHERE SPACE OF 1/16 INCH OR GREATER OCCURS. SHIM(S) SHALL BE CONSTRUCTED OF HIGH DENSITY PLASTIC OR BETTER.
- FOR MASONRY OR CONCRETE OPENINGS, A 1X WOOD BUCK MAY BE USED (OPTIONAL) AS LONG AS THE MINIMUM EMBEDMENT AND EDGE DISTANCE REQUIREMENTS ARE STILL MET WITHIN THE CORRESPONDING HOST SUBSTRATE. SEE GENERAL NOTE #3 ON SHEET 1 FOR MORE INFORMATION.
- MINIMUM EMBEDMENT AND EDGE DISTANCE EXCLUDE WALL FINISHES, INCLUDING BUT NOT LIMITED TO STUCCO, FOAM, BRICK VENEER, AND SIDING.
- INSTALLATION ANCHORS AND ASSOCIATED HARDWARE MUST BE MADE OF CORROSION RESISTANT MATERIAL OR HAVE A CORROSION RESISTANT COATING.
- FOR HOLLOW BLOCK AND GROUT FILLED BLOCK, DO NOT INSTALL INSTALLATION ANCHORS INTO MORTAR JOINTS. EDGE DISTANCE IS MEASURED FROM FREE EDGE OF BLOCK OR EDGE OF MORTAR JOINT INTO FACE SHELL OF BLOCK.
- INSTALLATION ANCHORS SHALL BE INSTALLED IN ACCORDANCE WITH ANCHOR MANUFACTURER'S INSTALLATION INSTRUCTIONS, AND ANCHORS SHALL NOT BE USED IN SUBSTRATES WITH STRENGTHS LESS THAN THE MINIMUM STRENGTH SPECIFIED BY THE ANCHOR MANUFACTURER.

ANCHOR TYPE	ANCHOR DESCRIPTION	SUBSTRATE REQUIREMENTS	MIN. EMBEDMENT	MIN. EDGE DISTANCE
A	#14 WOOD SCREW	MIN. S.G. = 0.55 WOOD	1.5"	1"
	3/8" LAG SCREW	MIN. S.G. = 0.55 WOOD	1.5"	1.5"
B	1/4" SELF-DRILLING/TAPPING SCREW (GRADE 5)	STEEL: 18 GA. MIN., Fy=33 KSI MIN. ALUM.: 1/8" MIN., 6063-T5 MIN.	THREE THREADS PENETRATION	1"
	1/4" ITW TAPCON (CARBON OR STAINLESS STEEL)	CONCRETE, F'C = 3000 PSI MIN. HOLLOW/FILLED BLOCK PER C-90, F'C = 2000 PSI MIN.	1.75"	2.5"
	1/4" ELCO ULTRACON (CARBON STEEL)		1.75"	2.5"
	1/4" HILTI KWIK-CON II+ (CARBON OR STAINLESS STEEL)	1"	2.5"	
C	1/4" ITW TRUBOLT WEDGE (CARBON OR STAINLESS STEEL)	CONCRETE, F'C = 2000 PSI MIN.	1.5"	2.5"
	5/16" SELF-DRILLING/TAPPING SCREW (GRADE 5)	STEEL: 18 GA. MIN., Fy=33 KSI MIN. ALUM.: 1/8" MIN., 6063-T5 MIN.	THREE THREADS PENETRATION	1"
	3/8" POWERS TAPPER (CARBON STEEL)	CONCRETE, F'C = 3000 PSI MIN.	1.25"	2.5"
	3/8" ITW LDT (CARBON OR STAINLESS STEEL)	HOLLOW/FILLED BLOCK PER C-90, F'C = 2000 PSI MIN.	1.75"	3"
CONCRETE, F'C = 3000 PSI MIN.		1.5"	2.5"	
3/8" ITW LDT (CARBON OR STAINLESS STEEL)	HOLLOW/FILLED BLOCK PER C-90, F'C = 2000 PSI MIN.	1.5"	3"	

TUBELITE®
DEPENDABLE

LEADERS IN ECO-EFFICIENT STOREFRONT,
CURTAINWALL AND ENTRANCE SYSTEMS

3056 WALKER RIDGE DRIVE N.W.
WALKER, MICHIGAN 49544
PH: 800 866 2227 FX: 616 301 0008

TITLE: TUBELITE® 950SG RIBBON
WALL SYSTEM - 7-3/4" DEPTH
(NON-HVHZ) (NON-IMPACT)
ANCHOR DETAILS &
INSTALLATION NOTES

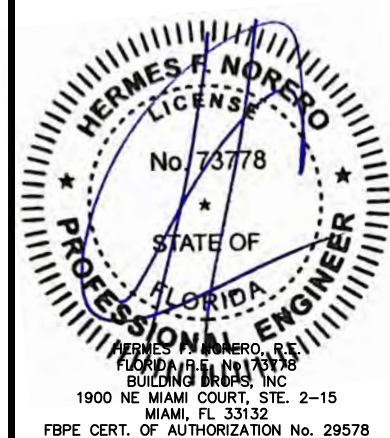
PREPARED BY: BUILDING DROPS, INC.

1900 NE MIAMI COURT, STE. 2-15
MIAMI, FL 33132
PH: (954)399-8478
FAX: (954)744-4738
WEB: www.buildingdrops.com



REMARKS	BY	DATE

THE INSTALLATION DETAILS DESCRIBED HEREIN ARE GENERIC AND MAY NOT REFLECT ACTUAL CONDITIONS FOR A SPECIFIC SITE. IF SITE CONDITIONS CAUSE INSTALLATION TO DEVIATE FROM THE REQUIREMENTS DETAILED HEREIN, A LICENSED ENGINEER OR ARCHITECT SHALL PREPARE SITE SPECIFIC DOCUMENTS FOR USE WITH THIS DOCUMENT.



FL #: **FL40971**

DATE: **10.17.23**

DWG. BY: **SH** CHK. BY: **HFN**

SCALE: **NTS**

DWG. #: **TLI026**

SECTION

14

OF 17

ANCHOR CAPACITY CHARTS

TUBELITE®
DEPENDABLE
 LEADERS IN ECO-EFFICIENT STOREFRONT,
 CURTAINWALL AND ENTRANCE SYSTEMS

3056 WALKER RIDGE DRIVE N.W.
 WALKER, MICHIGAN 49544
 PH: 800 866 2227 FX: 616 301 0008

ANCHOR LOAD CAPACITY - PSF									
NOMINAL DIMS.		ANCHOR TYPE 'A'			ANCHOR TYPE 'B'			ANCHOR TYPE 'C'	
TRIBUTARY WIDTH 'W' (in.)	FRAME HEIGHT 'H' (in.)	A1	A2	A3	B1	B2	B3	C1	C2
24	48	25.2	40.0	40.0	40.0	40.0	40.0	40.0	40.0
30		20.1	40.0	40.0	36.4	40.0	40.0	40.0	40.0
36		16.8	33.6	40.0	30.4	40.0	40.0	40.0	40.0
42		14.4	28.8	40.0	26.0	40.0	40.0	40.0	40.0
48		12.6	25.2	37.8	22.8	40.0	40.0	40.0	40.0
54		11.2	22.4	33.6	20.2	40.0	40.0	40.0	40.0
60		10.1	20.1	30.2	18.2	36.4	40.0	38.4	40.0
66		9.2	18.3	27.5	16.6	33.1	40.0	34.9	40.0
72		8.4	16.8	25.2	15.2	30.4	40.0	32.0	40.0
78		7.7	15.5	23.2	14.0	28.0	40.0	29.5	40.0
84		7.2	14.4	21.6	13.0	26.0	39.0	27.4	40.0
90		6.7	13.4	20.1	12.1	24.3	36.4	25.6	40.0
96		6.3	12.6	18.9	11.4	22.8	34.1	24.0	40.0
102		5.9	11.8	17.8	10.7	21.4	32.1	22.6	40.0
108		5.6	11.2	16.8	10.1	20.2	30.4	21.3	40.0
24		60	20.1	40.0	40.0	36.4	40.0	40.0	40.0
30	16.1		32.2	40.0	29.1	40.0	40.0	40.0	40.0
36	13.4		26.9	40.0	24.3	40.0	40.0	40.0	40.0
42	11.5		23.0	34.5	20.8	40.0	40.0	40.0	40.0
48	10.1		20.1	30.2	18.2	36.4	40.0	38.4	40.0
54	9.0		17.9	26.9	16.2	32.4	40.0	34.1	40.0
60	8.1		16.1	24.2	14.6	29.1	40.0	30.7	40.0
66	7.3		14.6	22.0	13.2	26.5	39.7	27.9	40.0
72	6.7		13.4	20.1	12.1	24.3	36.4	25.6	40.0
78	6.2		12.4	18.6	11.2	22.4	33.6	23.6	40.0
84	5.8		11.5	17.3	10.4	20.8	31.2	21.9	40.0
90	5.4		10.7	16.1	9.7	19.4	29.1	20.5	40.0
96	5.0		10.1	15.1	9.1	18.2	27.3	19.2	38.4
102	4.7		9.5	14.2	8.6	17.1	25.7	18.1	36.1
108	4.5		9.0	13.4	8.1	16.2	24.3	17.1	34.1
24	72		16.8	33.6	40.0	30.4	40.0	40.0	40.0
30		13.4	26.9	40.0	24.3	40.0	40.0	40.0	40.0
36		11.2	22.4	33.6	20.2	40.0	40.0	40.0	40.0
42		9.6	19.2	28.8	17.3	34.7	40.0	36.6	40.0
48		8.4	16.8	25.2	15.2	30.4	40.0	32.0	40.0
54		7.5	14.9	22.4	13.5	27.0	40.0	28.4	40.0
60		6.7	13.4	20.1	12.1	24.3	36.4	25.6	40.0
66		6.1	12.2	18.3	11.0	22.1	33.1	23.3	40.0
72		5.6	11.2	16.8	10.1	20.2	30.4	21.3	40.0
78		5.2	10.3	15.5	9.3	18.7	28.0	19.7	39.4
84		4.8	9.6	14.4	8.7	17.3	26.0	18.3	36.6
90		4.5	9.0	13.4	8.1	16.2	24.3	17.1	34.1
96		4.2	8.4	12.6	7.6	15.2	22.8	16.0	32.0
102		3.9	7.9	11.8	7.1	14.3	21.4	15.1	30.1
108		3.7	7.5	11.2	6.7	13.5	20.2	14.2	28.4

ANCHOR LOAD CAPACITY - PSF									
NOMINAL DIMS.		ANCHOR TYPE 'A'			ANCHOR TYPE 'B'			ANCHOR TYPE 'C'	
TRIBUTARY WIDTH 'W' (in.)	FRAME HEIGHT 'H' (in.)	A1	A2	A3	B1	B2	B3	C1	C2
24	84	14.4	28.8	40.0	26.0	40.0	40.0	40.0	40.0
30		11.5	23.0	34.5	20.8	40.0	40.0	40.0	40.0
36		9.6	19.2	28.8	17.3	34.7	40.0	36.6	40.0
42		8.2	16.4	24.7	14.9	29.7	40.0	31.3	40.0
48		7.2	14.4	21.6	13.0	26.0	39.0	27.4	40.0
54		6.4	12.8	19.2	11.6	23.1	34.7	24.4	40.0
60		5.8	11.5	17.3	10.4	20.8	31.2	21.9	40.0
66		5.2	10.5	15.7	9.5	18.9	28.4	19.9	39.9
72		4.8	9.6	14.4	8.7	17.3	26.0	18.3	36.6
78		4.4	8.9	13.3	8.0	16.0	24.0	16.9	33.7
84		4.1	8.2	12.3	7.4	14.9	22.3	15.7	31.3
90		3.8	7.7	11.5	6.9	13.9	20.8	14.6	29.2
96		3.6	7.2	10.8	6.5	13.0	19.5	13.7	27.4
102		3.4	6.8	10.2	6.1	12.2	18.4	12.9	25.8
108		3.2	6.4	9.6	5.8	11.6	17.3	12.2	24.4
24		96	12.6	25.2	37.8	22.8	40.0	40.0	40.0
30	10.1		20.1	30.2	18.2	36.4	40.0	38.4	40.0
36	8.4		16.8	25.2	15.2	30.4	40.0	32.0	40.0
42	7.2		14.4	21.6	13.0	26.0	39.0	27.4	40.0
48	6.3		12.6	18.9	11.4	22.8	34.1	24.0	40.0
24	108		11.2	22.4	33.6	20.2	40.0	40.0	40.0
30		9.0	17.9	26.9	16.2	32.4	40.0	34.1	40.0
36		7.5	14.9	22.4	13.5	27.0	40.0	28.4	40.0
42		6.4	12.8	19.2	11.6	23.1	34.7	24.4	40.0
48		5.6	11.2	16.8	10.1	20.2	30.4	21.3	40.0
24		120	10.1	20.1	30.2	18.2	36.4	40.0	38.4
30	8.1		16.1	24.2	14.6	29.1	40.0	30.7	40.0
36	6.7		13.4	20.1	12.1	24.3	36.4	25.6	40.0
42	5.8		11.5	17.3	10.4	20.8	31.2	21.9	40.0
48	5.0		10.1	15.1	9.1	18.2	27.3	19.2	38.4
24	132		9.2	18.3	27.5	16.6	33.1	40.0	34.9
30		7.3	14.6	22.0	13.2	26.5	39.7	27.9	40.0
36		6.1	12.2	18.3	11.0	22.1	33.1	23.3	40.0
42		5.2	10.5	15.7	9.5	18.9	28.4	19.9	39.9
48		4.6	9.2	13.7	8.3	16.6	24.8	17.5	34.9
24		144	8.4	16.8	25.2	15.2	30.4	40.0	32.0
30	6.7		13.4	20.1	12.1	24.3	36.4	25.6	40.0
36	5.6		11.2	16.8	10.1	20.2	30.4	21.3	40.0
42	4.8		9.6	14.4	8.7	17.3	26.0	18.3	36.6
48	4.2		8.4	12.6	7.6	15.2	22.8	16.0	32.0
24	156		7.7	15.5	23.2	14.0	28.0	40.0	29.5
30		6.2	12.4	18.6	11.2	22.4	33.6	23.6	40.0
36		5.2	10.3	15.5	9.3	18.7	28.0	19.7	39.4
42		4.4	8.9	13.3	8.0	16.0	24.0	16.9	33.7
48		3.9	7.7	11.6	7.0	14.0	21.0	14.8	29.5
24		168	7.2	14.4	21.6	13.0	26.0	39.0	27.4
30	5.8		11.5	17.3	10.4	20.8	31.2	21.9	40.0
36	4.8		9.6	14.4	8.7	17.3	26.0	18.3	36.6
42	4.1		8.2	12.3	7.4	14.9	22.3	15.7	31.3
48	3.6		7.2	10.8	6.5	13.0	19.5	13.7	27.4
24	180		6.7	13.4	20.1	12.1	24.3	36.4	25.6
30		5.4	10.7	16.1	9.7	19.4	29.1	20.5	40.0
36		4.5	9.0	13.4	8.1	16.2	24.3	17.1	34.1
42		3.8	7.7	11.5	6.9	13.9	20.8	14.6	29.2
48		3.4	6.7	10.1	6.1	12.1	18.2	12.8	25.6

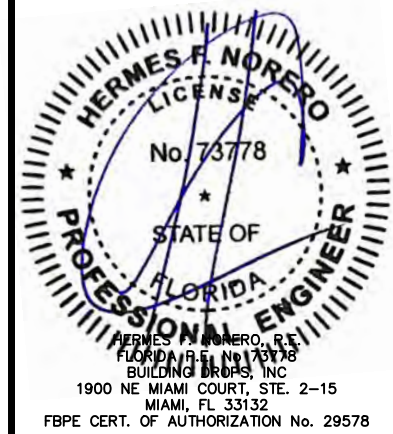
TITLE: TUBELITE® 950SG RIBBON
 WALL SYSTEM - 7-3/4" DEPTH
 (NON-HVHZ) (NON-IMPACT)
 ANCHOR CAPACITY CHARTS

PREPARED BY:
BUILDING DROPS, INC.
 1900 NE MIAMI COURT, STE. 2-15
 MIAMI, FL 33132
 PH: (954)399-8478
 FAX: (954)744-4738
 WEB: www.buildingdrops.com



REMARKS	BY	DATE

THE INSTALLATION DETAILS DESCRIBED HEREIN ARE GENERIC AND MAY NOT REFLECT ACTUAL CONDITIONS FOR A SPECIFIC SITE. IF SITE CONDITIONS CAUSE INSTALLATION TO DEVIATE FROM THE REQUIREMENTS DETAILED HEREIN, A LICENSED ENGINEER OR ARCHITECT SHALL PREPARE SITE SPECIFIC DOCUMENTS FOR USE WITH THIS DOCUMENT



FL #: **FL40971**

DATE: **10.17.23**

DWG. BY: **SH** CHK. BY: **HFN**

SCALE: **NTS**

DWG. #: **TLI026**

SECTION **15**

OF 17

10/19/2023 4:52 PM
 s:\projects\tubelite, inc\fbz-23-0825-1 - fbc submittal - 1350_4000 series operable vents & f40971_950sg revision.dwg s:\950 sg www.tli026.dwg

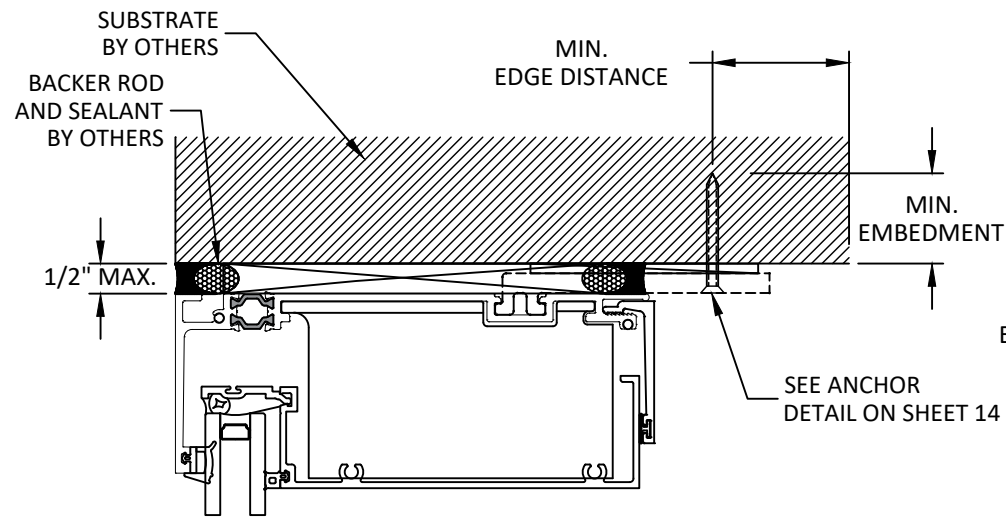
INSTALLATION DETAILS

TUBELITE®
DEPENDABLE
 LEADERS IN ECO-EFFICIENT STOREFRONT,
 CURTAINWALL AND ENTRANCE SYSTEMS

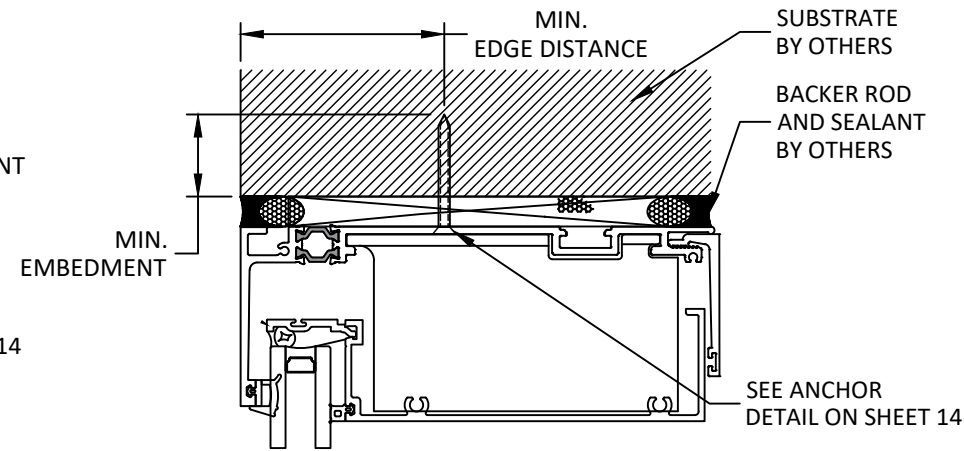
3056 WALKER RIDGE DRIVE N.W.
 WALKER, MICHIGAN 49544
 PH: 800 866 2227 FX: 616 301 0008

TITLE: TUBELITE® 950SG RIBBON
 WALL SYSTEM - 7-3/4" DEPTH
 (NON-HVHZ) (NON-IMPACT)
 INSTALLATION DETAILS

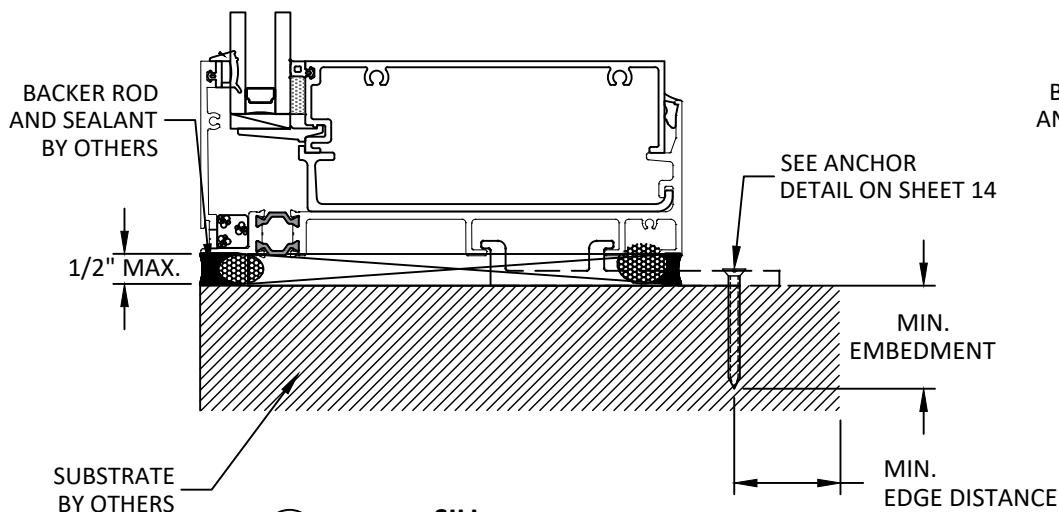
PREPARED BY:
BUILDING DROPS, INC.
 1900 NE MIAMI COURT, STE. 2-15
 MIAMI, FL 33132
 PH: (954)399-8478
 FAX: (954)744-4738
 WEB: www.buildingdrops.com



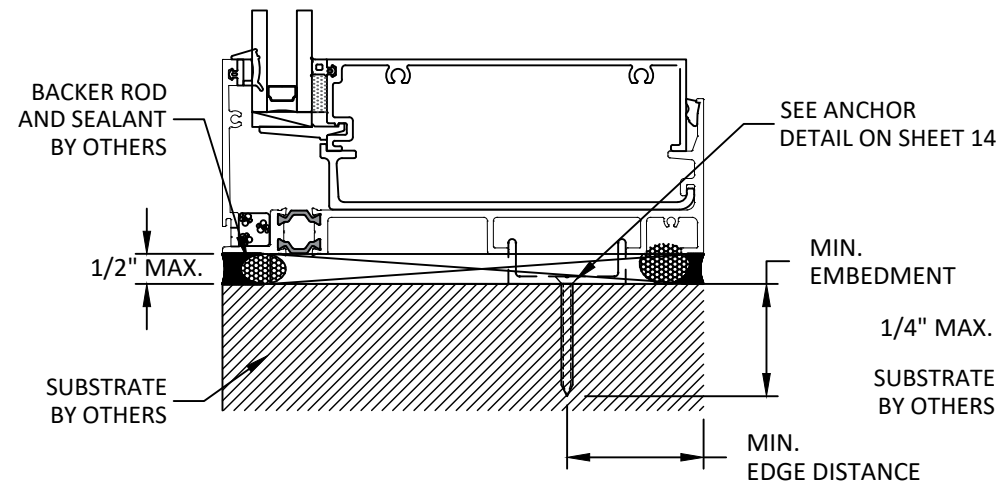
A
16
HEAD
 SLIDE IN ANCHOR
 SLAB HEAD OPTION 1 SIMILAR



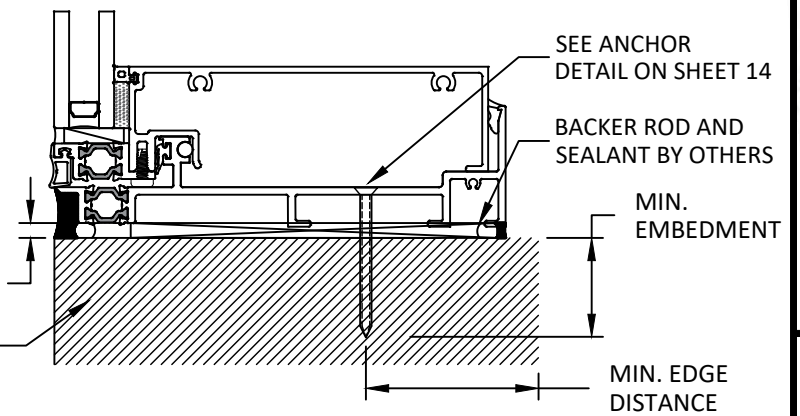
B
16
HEAD
 ANCHOR THROUGH RECEPTOR



D
16
SILL
 SLIDE IN ANCHOR
 TALL SILL SHOWN, LOW/ROLL-OVER SILL SIMILAR



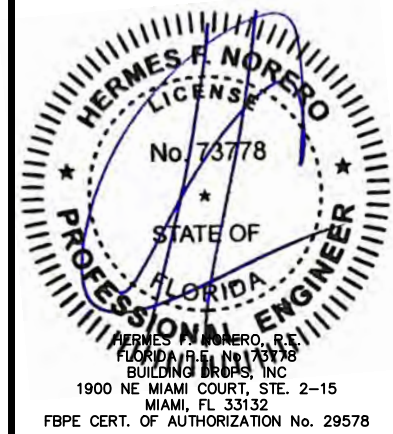
E
16
SILL
 CHANNEL ANCHOR
 LOW SILL SHOWN, TALL/ROLL-OVER SILL SIMILAR



F
16
SILL
 ANCHOR THROUGH RECEPTOR
 ROLL-OVER SILL SHOWN, LOW/TALL SILL SIMILAR

REMARKS	BY	DATE

THE INSTALLATION DETAILS DESCRIBED HEREIN ARE GENERIC AND MAY NOT REFLECT ACTUAL CONDITIONS FOR A SPECIFIC SITE. IF SITE CONDITIONS CAUSE INSTALLATION TO DEVIATE FROM THE REQUIREMENTS DETAILED HEREIN, A LICENSED ENGINEER OR ARCHITECT SHALL PREPARE SITE SPECIFIC DOCUMENTS FOR USE WITH THIS DOCUMENT.



FL #: **FL40971**

DATE: **10.17.23**

DWG. BY: **SH** CHK. BY: **HFN**

SCALE: **NTS**

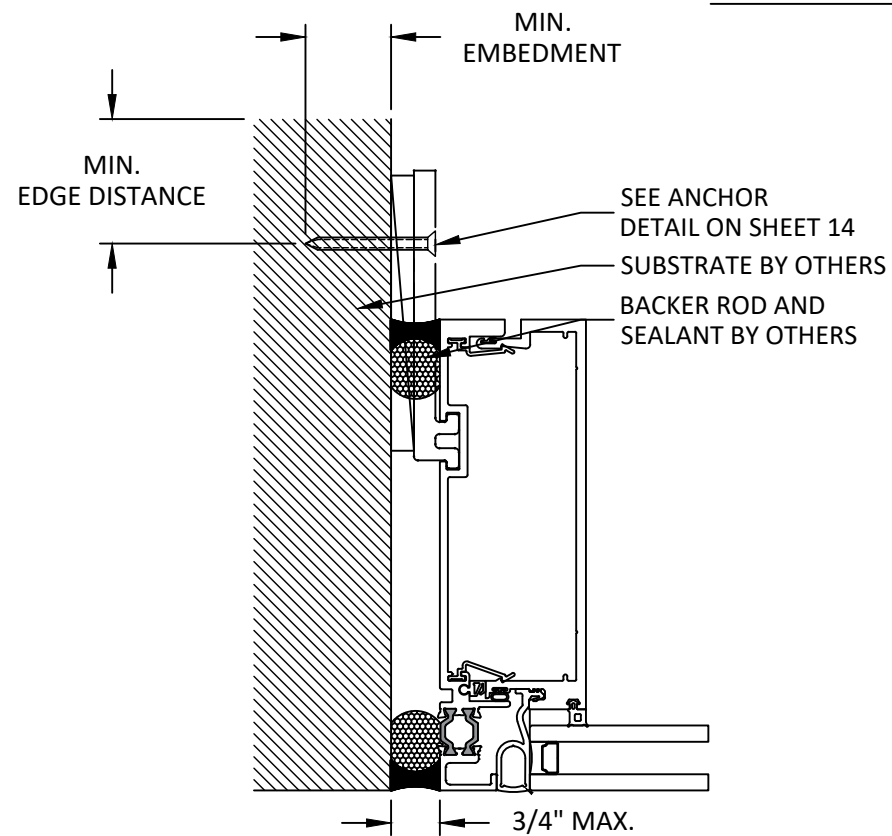
DWG. #: **TLI026**

SECTION

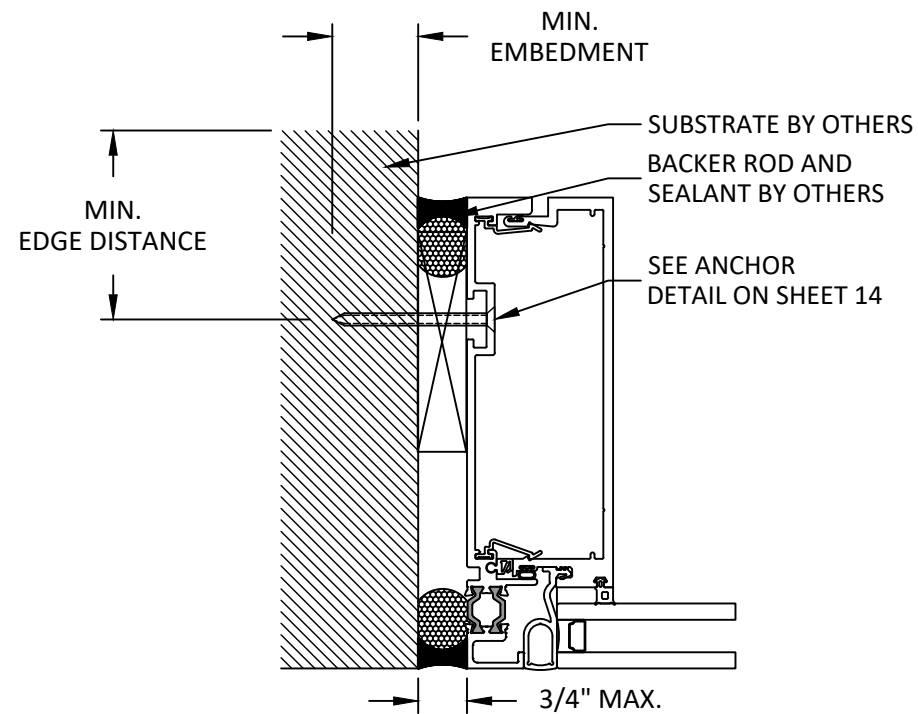
16

10/19/2023 4:52 PM
 s:\projects\tubelite, inc\fbce-23-0825-1 - fbc submittal - 1350_4000 series operable vents & fl40971 950sg revision.dwg\950 sg www.tli026.dwg

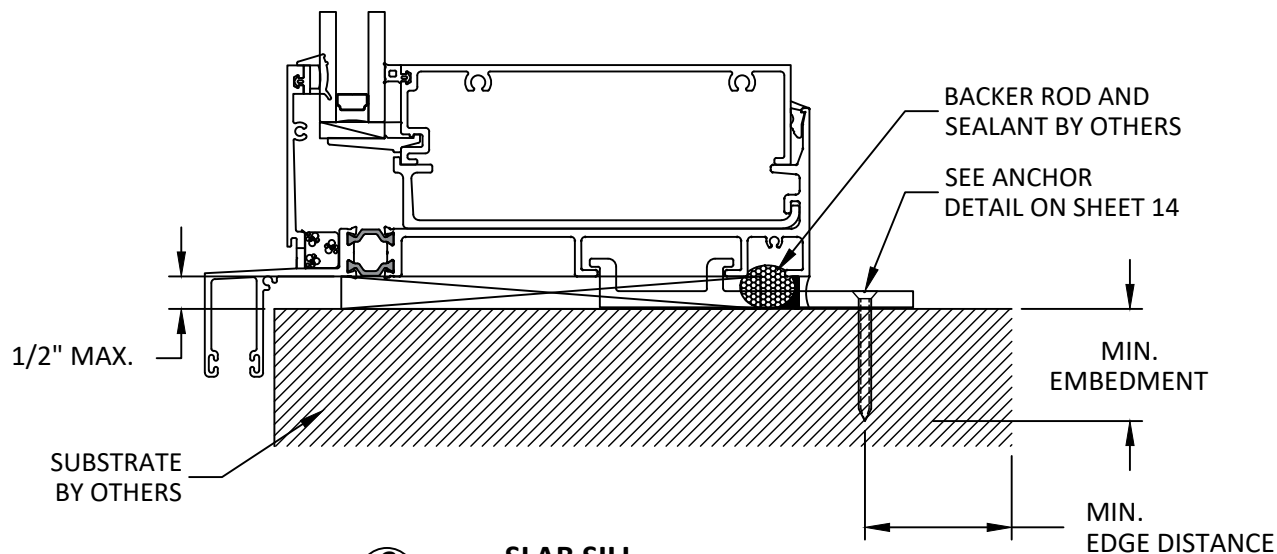
INSTALLATION DETAILS



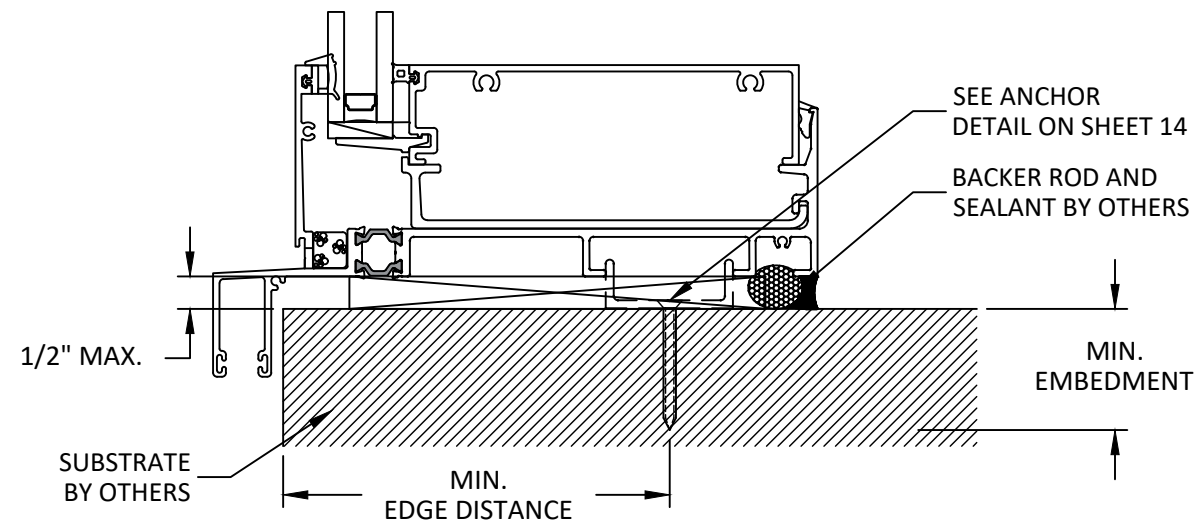
A
17
JAMB
SLIDE IN ANCHOR



B
17
JAMB
ANCHOR THROUGH FRAME



C
17
SLAB SILL
SLIDE IN STRAP ANCHOR
OPTION 1 SHOWN, OPTION 2, 3 SIMILAR



D
17
SLAB SILL
CHANNEL ANCHOR
OPTION 6 SHOWN, OPTION 4, 5 SIMILAR

TUBELITE®
DEPENDABLE
LEADERS IN ECO-EFFICIENT STOREFRONT,
CURTAINWALL AND ENTRANCE SYSTEMS

3056 WALKER RIDGE DRIVE N.W.
WALKER, MICHIGAN 49544
PH: 800 866 2227 FX: 616 301 0008

TITLE: TUBELITE® 950SG RIBBON
WALL SYSTEM - 7-3/4" DEPTH
(NON-HVHZ) (NON-IMPACT)

INSTALLATION DETAILS

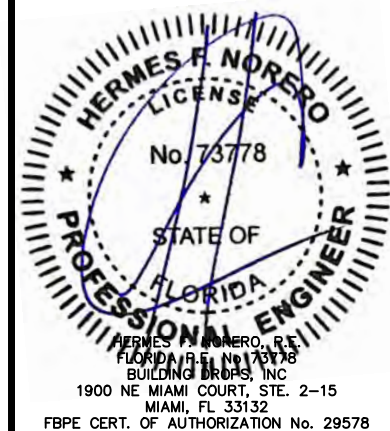
PREPARED BY: BUILDING DROPS, INC.

1900 NE MIAMI COURT, STE. 2-15
MIAMI, FL 33132
PH: (954)399-8478
FAX: (954)744-4738
WEB: www.buildingdrops.com



REMARKS	BY	DATE

THE INSTALLATION DETAILS DESCRIBED HEREIN ARE GENERIC AND MAY NOT REFLECT ACTUAL CONDITIONS FOR A SPECIFIC SITE. IF SITE CONDITIONS CAUSE INSTALLATION TO DEVIATE FROM THE REQUIREMENTS DETAILED HEREIN, A LICENSED ENGINEER OR ARCHITECT SHALL PREPARE SITE SPECIFIC DOCUMENTS FOR USE WITH THIS DOCUMENT



FL #: **FL40971**

DATE: **10.17.23**

DWG. BY: **SH** CHK. BY: **HFN**

SCALE: **NTS**

DWG. #: **TLI026**

SECTION

17

OF 17